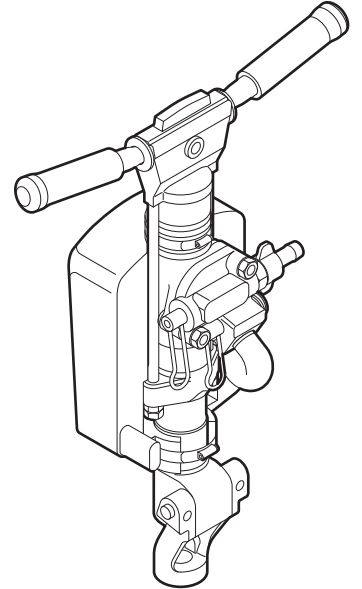


## Spare parts list

### Handheld pneumatic drills





# Contents

General information .....	5
Spare parts list .....	6
RH 572E.....	6
Accessories.....	9
Accessories .....	9
Optional equipment.....	9
Rock drill AIR-OIL.....	10
Kits.....	11
Side bolt kit.....	11



## General information

This spare parts list applies to the following:

Part number	Description
8311 0301 78	Pneumatic drill RH 572E

Use only authorized parts. Any damage or malfunction caused by the use of unauthorized parts is not covered by Warranty or Product Liability. Any unauthorized use or copying of the contents or any part thereof is prohibited. This applies in particular to trademarks, model denominations, part numbers, and drawings.

### Instructions for use

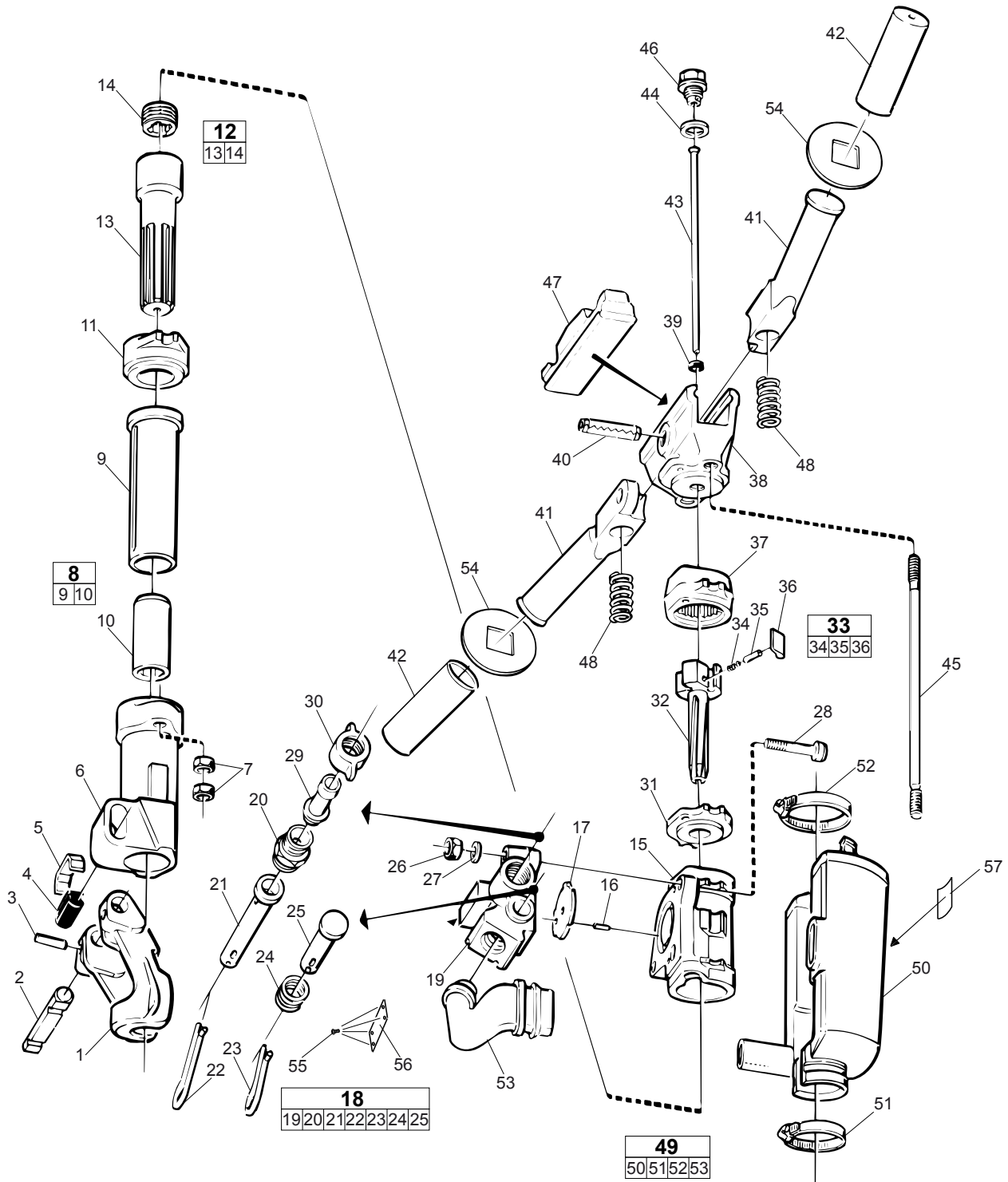
This spare parts list contains no safety regulations and is merely intended to assist in the ordering of spare parts.

For information about operating, servicing, or repairing, the relevant Safety and operating instructions must be consulted at all costs.

Please observe the safety instructions listed in the relevant Safety and operating instructions!

# Spare parts list

## RH 572E



No.	Description	Remark	Quantity	Part number
1	Drill steel retainer		1	3121 0851 00
2	Retainer pin		1	3121 0852 00
3	Tension pin	Ø10 x 40 mm	2	0108 3392 00
4	Rubber buffer		1	3121 0030 00
5	Buffer plate		1	3121 0029 00
6	Front head		1	3111 0141 00
7	Nut		4	0266 1208 00
<b>8(9-10)</b>	<b>Rotation chuck, complete</b>		1	3111 0185 80
9	Rotation chuck	Hexagon 22 x 108 mm	1	-
10	Tool bushing	Hexagon 22 x 108 mm	1	3111 0186 00
11	Intermediate part		1	3111 0143 00
<b>12(13-14)</b>	<b>Piston, complete</b>		1	3111 0162 80
13	Piston		1	-
14	Rifle nut		1	3100 9299 08
15	Cylinder		1	3106 0825 00
16	Spring pin	Ø4 x 16 mm	1	0108 1238 00
17	Main valve		1	3101 1586 01
<b>18(19-25)</b>	<b>Throttle housing, complete</b>		1	3115 1163 81
19	Throttle housing		1	-
20	Hexagon nipple		1	3115 1924 01
21	Throttle valve		1	3115 1190 00
22	Lever		1	3115 1191 00
23	Lever		1	3101 3664 00
24	Coil spring		1	3001 3957 01
25	Exhaust valve		1	3101 4988 00
26	Nut		2	3000 1345 00
27	Lock washer		2	0333 3139 00
28	Bolt		2	3100 0194 06
29	Hose nipple	¾"	1	3115 1543 00
30	Wing nut		1	9000 0338 00
31	Cover		1	3106 0827 00
32	Rifle bar		1	3111 0145 00
<b>33(34-36)</b>	<b>Pawl, complete</b>		1	3115 9200 90
34	Pressure spring		4	3100 9140 02
35	Pawl pin		4	3100 9641 01
36	Pawl		4	3101 3159 00
37	Ratchet ring		1	3115 1167 00
38	Back head		1	3115 1885 00
39	Rubber packing		1	3000 0121 00
40	Spring pin	Ø16 x 70 mm	1	0108 1690 37
41	Handle		2	3115 1886 00
42	Rubber sleeve		2	3310 0852 00
43	Air flushing tube		1	3111 0140 00
44	Seal washer		1	3100 9341 00
45	Side bolt		2	3115 1890 00
46	Plug		1	3115 1888 00
47	Buffer		1	3115 2479 00
48	Spring		2	3115 1889 00
<b>49(50-53)</b>	<b>Silencer, complete</b>		1	3115 2485 81
50	Silencer		1	-
51	Hose clamp	Ø62 - 79 mm	1	0347 6114 00
52	Hose clamp	Ø77 - 87 mm	1	0347 6116 00
53	Connecting pipe		1	3115 1141 00

No.	Description	Remark	Quantity	Part number
54	Rubber washer		2	3115 2478 00
55	Screw		4	0244 4144 00
56	Data plate		1	-
57	Label	Atlas Copco	1	0690 1356 00

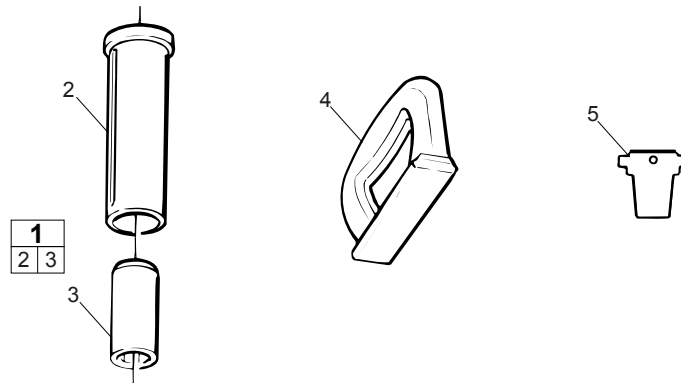


# Accessories

## Accessories

Description	Remark	Quantity	Part number
<b>Round rubber hoses</b>			
Pre-mounted hose fitted with coupling and hose clamp	European type, 20 mm (¾")	1	9030 2047 00
Pre-mounted hose fitted with coupling and hose clamp	US type, 20 mm (¾")	1	9030 2065 00
<b>Lubricator</b>			
CLG 30, for both mineral and synthetic oil	European type	1	8202 5102 39
CLG 30, for both mineral and synthetic oil	US type	1	8202 5102 40
<b>Water separator</b>			
VAM 01 - European type	airflow <50 ½ (106 cfm)	1	8092 0110 58
VAM 01 - US type	airflow <50 ½ (106 cfm)	1	8092 0110 59

## Optional equipment



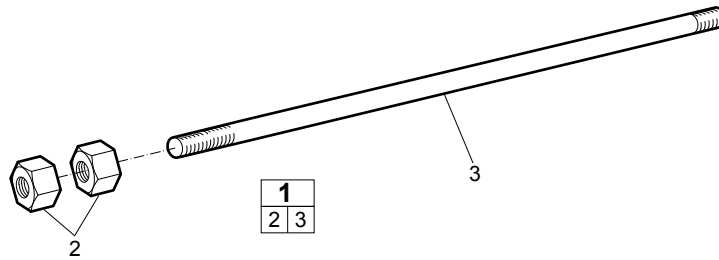
No.	Description	Remark	Quantity	Part number
<b>1(2-3)</b>	<b>Rotation chuck, complete</b>		1	3111 0185 81
2	Rotation chuck	Hexagon 19 x 108 mm	1	-
3	Tool bushing	Hexagon 19 x 108 mm	1	3111 0192 00
4	Lifting handle		1	3115 1914 00
5	Gauge	Hexagon 22 mm	1	9238 2707 90

## Rock drill AIR-OIL

Description	Remark	Quantity	Part number
Rock drill AIR-OIL	1 l (0.22 gallon)	1	8099 0201 01
Rock drill AIR-OIL	1 l (0.22 gallon)	12	8099 0201 81
Rock drill AIR-OIL	4 l (0.88 gallon)	1	8099 0201 04
Rock drill AIR-OIL	4 l (0.88 gallon)	4	8099 0201 84
Rock drill AIR-OIL	10 l (2.2 gallon)	1	8099 0201 10
Rock drill AIR-OIL	208 l Drum (46 gallon)	1	8099 0201 28

# Kits

## Side bolt kit



No.	Description	Remark	Quantity	Part number
1(2-3)	Side bolt kit		1	3121 5000 31
2	Nut		4	0266 1208 00
3	Side bolt		2	3115 1890 00









Any unauthorized use or copying of the contents or any part thereof is prohibited.  
This applies in particular to trademarks, model denominations, part numbers, and  
drawings.

© 2009 Atlas Copco Construction Tools AB | No. 9800 0974 01 | 2009-09-07

**Atlas Copco**

[www.atlascopco.com](http://www.atlascopco.com)