

ROCK DRILLS

TOOL MAINTENANCE & REPAIR INFORMATION

FIELD OPERATION

Before:

1. Fill the oil reservoir with proper oil (Air Tool oil or 10W grade equivalent for 9 lb. and 15 lb. class and Rock Drill oil for the 38 lb. and 60 lb. class.)
2. Check all nuts and bolts to ensure they are tight on the tool.
3. Make sure retainer locks in place.
4. Replace retainer and or springs if worn.
5. Rotate the chuck bushings to ensure that pawls are engaging.
6. Clean any water and/or dirt from air hose before connecting it to the tool.

During:

1. Make sure feet are placed squarely on the work surface.
2. For your safety and that of others, keep constant pressure on drill bit at all times.
3. When moving from one work area to another, shut off tool.
4. To start drilling the hole use low speed.
5. If drill bit becomes stuck or bound, shut tool off immediately.
6. Refill oil reservoir approximately every two hours.

After:

1. Flush tool with cleaning solvent, then refill with oil.
2. Do not leave tool in water or in dirt.
3. Check all bolts and nuts to see that they are tight on the tool.
4. Store the tool well oiled.

**REMEMBER: PREVENTIVE MAINTENANCE
WILL ASSURE MAXIMUM
PERFORMANCE FROM ALL
OF YOUR APT TOOLS.**

TROUBLE SHOOTING GUIDE

If you experience loss of power in the tool:

1. Check side rod nuts to ensure they are tight.
2. Flush cleaning solvent through the tool and then immediately run a small portion of oil through it.
3. Disassemble and inspect ratchet pawls. If pawls show signs of wear around the corners, they should be replaced.
4. While tool is disassembled, check the cleanliness of the valve and ensure cylinder ports are clear.

If the tool is blowing air and will not function:

1. Disassemble, check for broken piston, broken rifle bar or worn rifle nut.
2. Check valve system for worn parts. If found, worn parts need to be replaced.

If you cannot shut the tool off:

1. Immediately turn off air source, then disconnect air supply.
2. Disassemble backhead and inspect throttle valve. Replace throttle valve if worn.

APT

**MODEL 109
MINI ROCK DRILL**

Weighing only 9 lbs., the APT Model 109 Rock Drill / Utility Drill is the lightest tool American Pneumatic Tool makes. It is the ideal tool for drilling holes for anchor bolts as well as for small dowel hole drilling. The stop rotation feature easily converts tool from a drilling machine to a percussion tool.

SPECIFICATIONS

Part Number	Chuck Size inches	Bore	Stroke	BPM	CFM @ 90 PSI inlet pressure	Weight lbs.	Length inches	Air Inlet NPT
17643	3/4 x 3-3/4	1-1/4	1	3400	19-21	9	15	3/8 female
18097	spline	1-1/4	1	3400	19-21	9	15	3/8 female



FEATURES

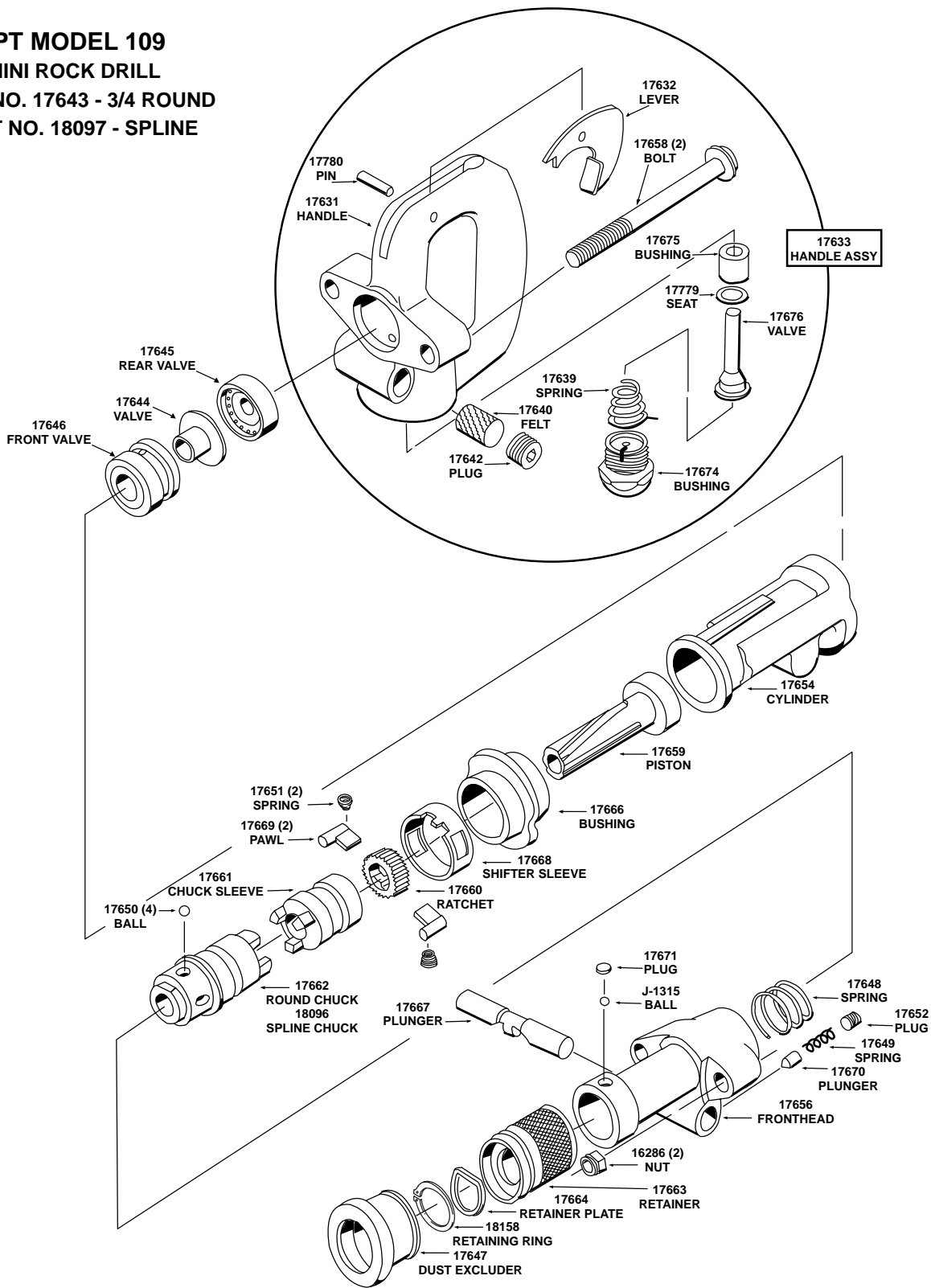
- Left-to-right hand rotation
 - Stop-rotation feature
 - Light-weight aluminum cast handle
 - Rubber dust cover protects internal retainer parts
 - Quick change ball-type retainer
- NEW!** ■ Available with Spline Chuck

APT

rev 1/99

AMERICAN PNEUMATIC TOOL

APT MODEL 109
MINI ROCK DRILL
PART NO. 17643 - 3/4 ROUND
PART NO. 18097 - SPLINE



MODEL 115 ROCK DRILL

The APT Model 115 Rock Drill works as a drilling tool for drilling holes for anchor bolts and small dowel hole drilling. This versatile tool has a stop rotation feature that converts it from a drilling tool to a percussion tool. It is an ideal tool for light chipping in horizontal and overhead work.

SPECIFICATIONS

Part Number	Chuck Size inches	Bore	Stroke	BPM	CFM @ 90 PSI inlet pressure	Weight lbs.	Length inches	Air Inlet NPT
5197	7/8 x 3-1/4	1-15/16	1-3/8	2900	32-36	14	18-3/8	3/8 male



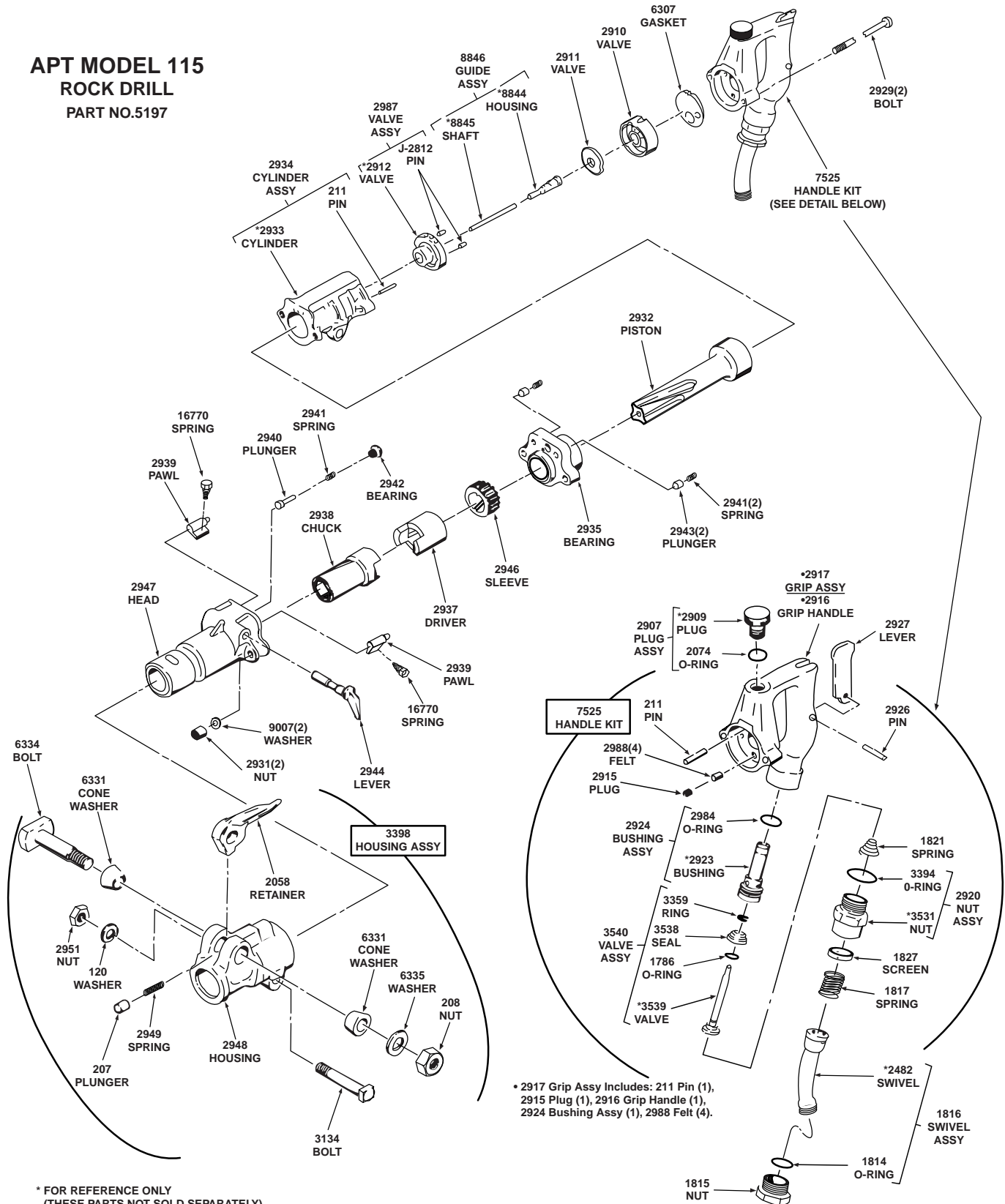
FEATURES

- Stop-rotation feature
- Built-in automatic oiler
- Latch type retainer
- Light-weight aluminum cast handle

APT

AMERICAN PNEUMATIC TOOL

APT MODEL 115 ROCK DRILL PART NO.5197



* FOR REFERENCE ONLY
(THESE PARTS NOT SOLD SEPARATELY)

APT

**MODEL 137
ROCK DRILL**

The APT Model 137 Rock Drill is a versatile midsize Rock Drill used in general construction, utility work, and plant maintenance. It is designed for drilling through granite, hard faced rock, quarry drilling and for drilling secondary holes for blasting. It can also be used with dowel hole drilling machines. The Model 137 is adaptable to wet drilling application by attaching the APT valve, wet tube and swivel assembly.

SPECIFICATIONS

Part Number	Chuck Size inches	Bore	Stroke	BPM	CFM @ 90 PSI inlet pressure	Weight lbs.	Length inches	Air Inlet NPT
5223	7/8 x 3-1/4	2-3/8	2-5/8	2300	85-90	38	19-3/4	1/2 male
5225	7/8 x 4-1/4	2-3/8	2-5/8	2300	85-90	38	19-3/4	1/2 male
5227	1 x 4-1/4	2-3/8	2-5/8	2300	85-90	38	19-3/4	1/2 male

**FEATURES**

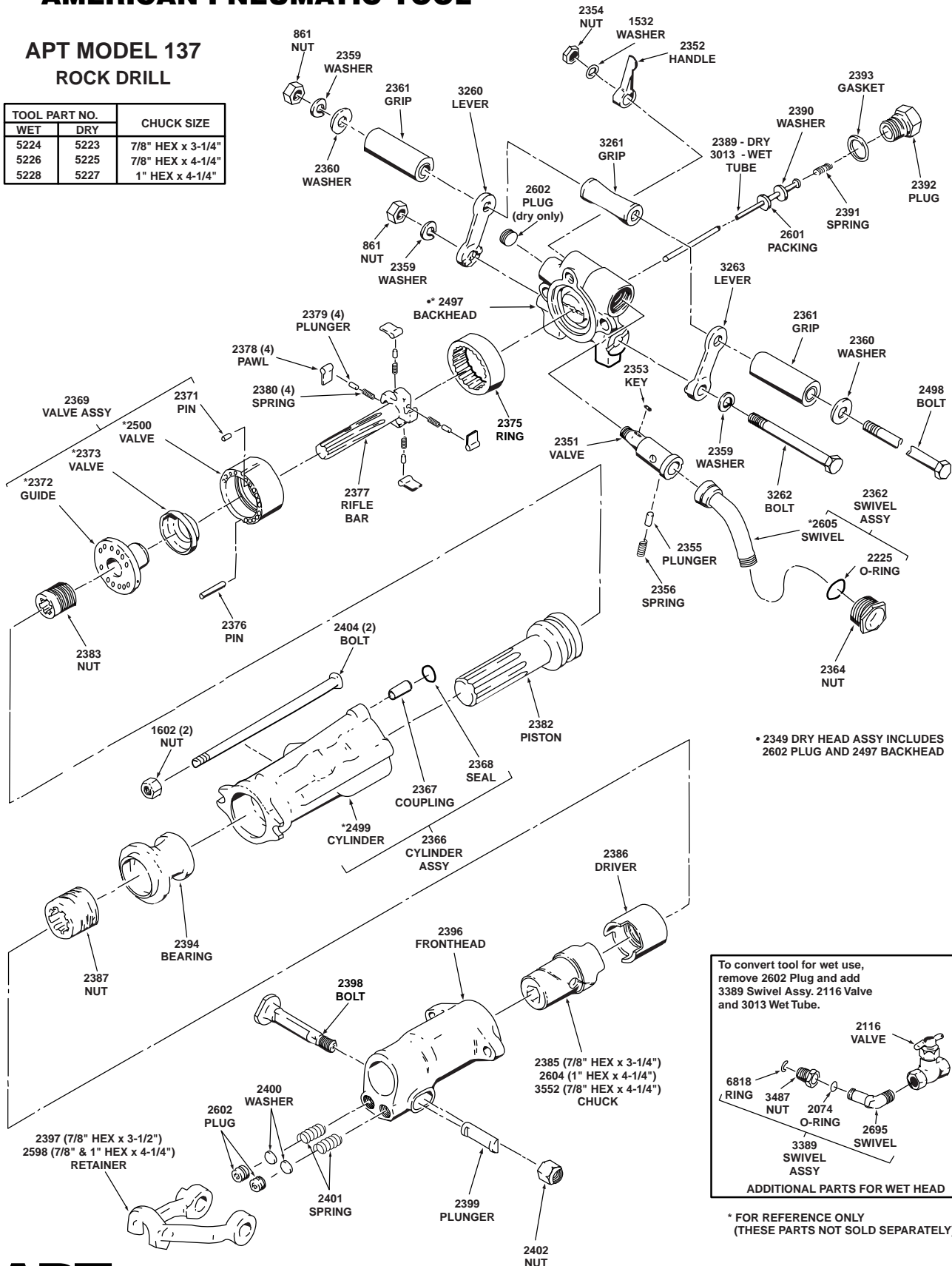
- 4 drilling speeds
- Replaceable piston stem bearing
- Available wet or dry
- Counter clockwise rotation
- Rubber handle grips

APT

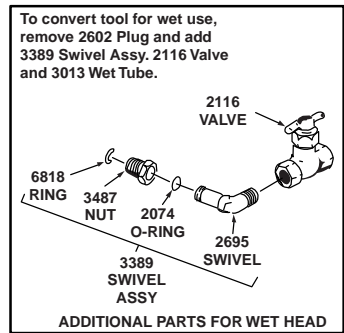
AMERICAN PNEUMATIC TOOL

APT MODEL 137 ROCK DRILL

TOOL PART NO.		CHUCK SIZE
WET	DRY	
5224	5223	7/8" HEX x 3-1/4"
5226	5225	7/8" HEX x 4-1/4"
5228	5227	1" HEX x 4-1/4"



* 2349 DRY HEAD ASSY INCLUDES 2602 PLUG AND 2497 BACKHEAD



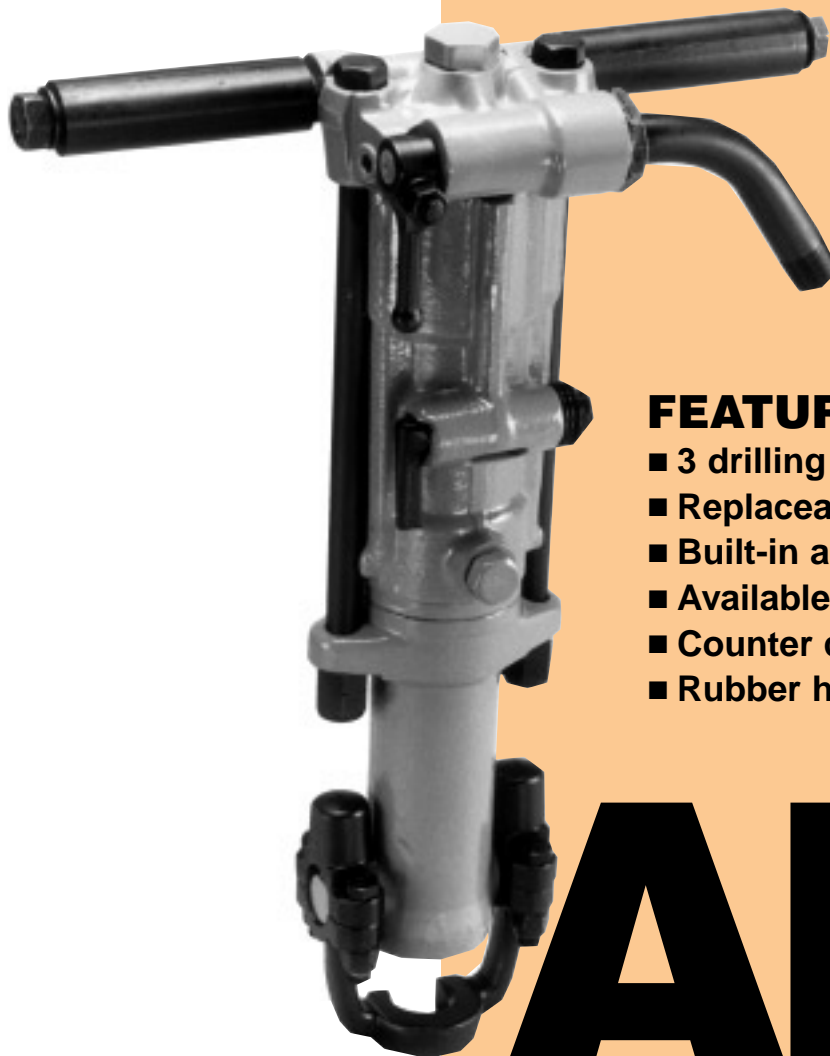
* FOR REFERENCE ONLY (THESE PARTS NOT SOLD SEPARATELY)

**MODEL 155
ROCK DRILL**

The APT Model 155 Rock Drill is a tough 60 lb. class Rock Drill. This tool is can be used in general construction as well as in utility work and plant maintenance. It is designed for drilling through granite, hard faced rock, quarry drilling and drilling secondary holes for blasting. This tool can also be used with dowel hole drilling machines. Adaptable to wet drilling application by attaching the APT valve, wet tube and swivel assembly.

SPECIFICATIONS

Part Number	Chuck Size inches	Bore	Stroke	BPM	CFM @ 90 PSI inlet pressure	Weight lbs.	Length inches	Air Inlet NPT
5229	7/8 x 3-1/4	2-5/8	3	2100	110-120	61	22-3/8	3/4 male
5231	7/8 x 4-1/4	2-5/8	3	2100	110-120	61	22-3/8	3/4 male
5233	1 x 4-1/4	2-5/8	3	2100	110-120	61	22-3/8	3/4 male

**FEATURES**

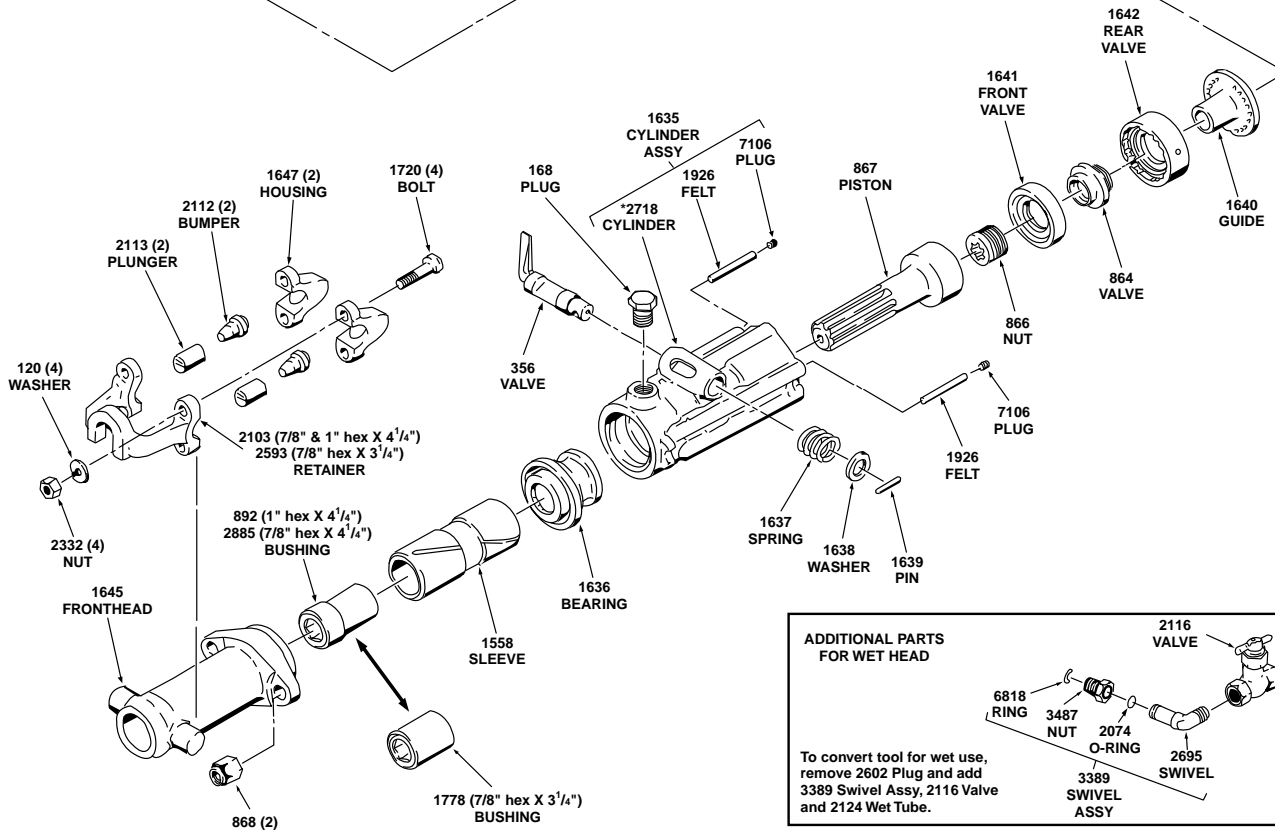
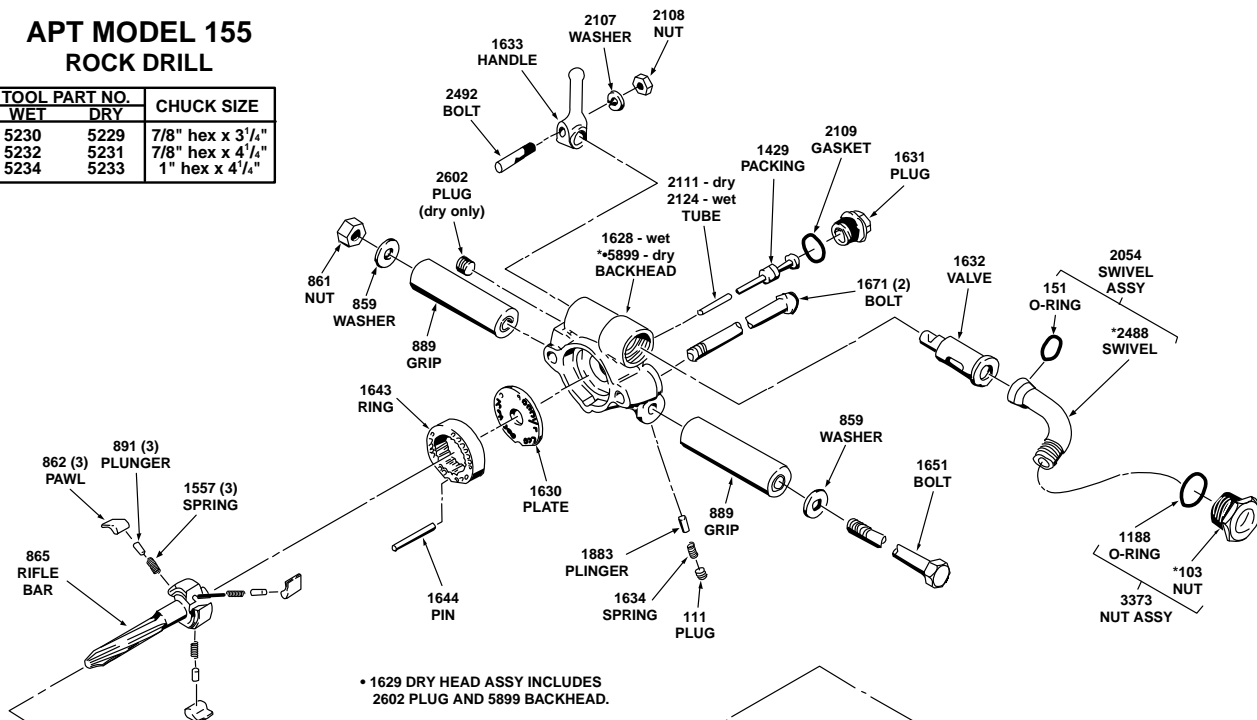
- 3 drilling speeds
- Replaceable piston stem bearing
- Built-in automatic oiler
- Available wet or dry
- Counter clockwise rotation
- Rubber handle grips

APT

AMERICAN PNEUMATIC TOOL

APT MODEL 155 ROCK DRILL

TOOL PART NO.		CHUCK SIZE
WET	DRY	
5230	5229	7/8" hex x 3 1/4"
5232	5231	7/8" hex x 4 1/4"
5234	5233	1" hex x 4 1/4"



ADDITIONAL PARTS FOR WET HEAD

6818 RING
 3487 NUT
 2074 O-RING
 2116 VALVE
 2695 SWIVEL
 3389 SWIVEL ASSY

To convert tool for wet use, remove 2602 Plug and add 3389 Swivel Assy, 2116 Valve and 2124 Wet Tube.

*FOR REFERENCE ONLY
(THESE PARTS NOT SOLD SEPARTELY)



**MODEL 138
ROCK DRILL**

The APT Model 138 Rock Drill is a tough, dependable 50-lb. class rock drill. Light enough at 50 pounds, yet tough enough to drill holes up to 15 feet deep. The Model 138, which is APT's version of the popular Thor 38, works exceptionally well when used for secondary drilling in tunnels and quarries, and can also be used with dowel hole drilling machines. The Model 138 has three drilling speeds and a counter-clockwise rotation feature to make drilling a snap.

SPECIFICATIONS

Part Number	Chuck Size inches	Bore inches	Stroke inches	BPM	CFM @ 90 PSI inlet pressure	Weight lbs.	Length inches	Air Inlet NPT
18257	7/8 x 3-1/4	2-5/8	2-13/16	2100	99-105	50.5	20	3/4 male
18151	7/8 x 4-1/4	2-5/8	2-13/16	2100	99-105	50.5	20	3/4 male
18121	1 x 4-1/4	2-5/8	2-13/16	2100	99-105	50.5	20	3/4 male



FEATURES

- 3 drilling speeds
- Replaceable piston stem bearing
- Built-in automatic oiler
- Available wet or dry
- Counter clockwise rotation
- Rubber handle grips

APT

rev 3/99

AMERICAN PNEUMATIC TOOL

APT MODEL 138 ROCK DRILL

TOOL PART NO.	WET	DRY	CHUCK SIZE
N/A	18257	7/8" hex x 3 1/4"	
18153	18151	7/8" hex x 4 1/4"	
18154	18121	1" hex x 4 1/4"	

