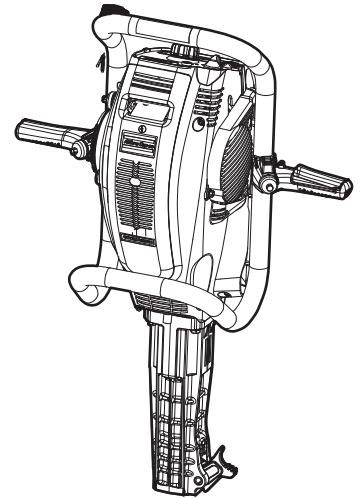


Spare parts list Petrol breakers



Contents

General information.....	5
Spare parts list.....	6
Hexagon 28 x 160, 32 x 160, 28 x 152, 32 x 152 (Body).....	6
Hexagon 28 x 160, 32 x 160, 28 x 152, 32 x 152 (Motor).....	10
Hexagon 28 x 152 - 32 x 160 (Percussion unit).....	14
Hexagon 28 x 160, 32 x 160, 28 x 152, 32 x 152 (Fuel tank).....	18
Working tools.....	20
ISO standard hexagon 28 x 160 mm (1 ¹ / ₈ " x 6 ¹ / ₄ ").....	20
ISO standard hexagon 32 x 160 mm (1 ¹ / ₄ " x 6 ¹ / ₄ ").....	21
US standard hexagon 1 ¹ / ₈ " x 6" (28 x 152 mm).....	22
US standard hexagon 1 ¹ / ₄ " x 6" (32 x 152 mm).....	23
Accessories.....	24
Accessories.....	24
Motor oil.....	24
Kits.....	25
Service kit.....	25
Seal kit.....	26
Carburettor repair kit.....	26

General information

This spare parts list applies to the following:

Part number	Description
8318 0700 35	Cobra Pro 32 x 160 mm (1¼" x 6¼")
8318 0700 37	Cobra Pro US 32 x 152 mm (1¼" x 6")
8318 0700 39	Cobra Pro AUS 28 x 160 mm (1⅞" x 6¼")
8318 0700 41	Cobra Pro US 28 x 152 mm (1⅞" x 6")
8318 0700 59	Cobra Pro BT 32 x 160 mm (1¼" x 6¼")

Use only authorized parts. Any damage or malfunction caused by the use of unauthorized parts is not covered by Warranty or Product Liability.

Any unauthorized use or copying of the contents or any part thereof is prohibited. This applies in particular to trademarks, model denominations, part numbers, and drawings.

Instructions for use

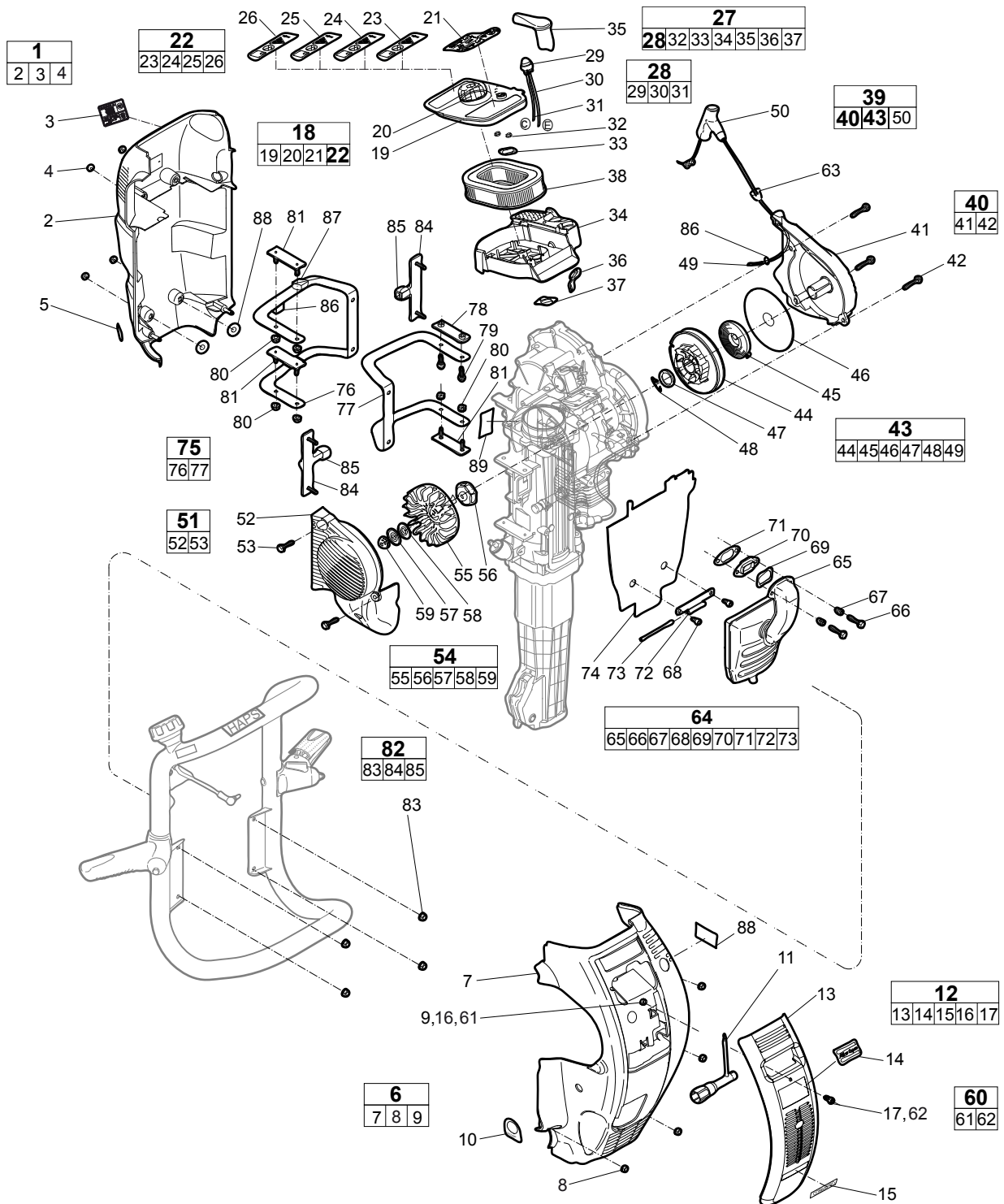
This spare parts list contains no safety regulations and is merely intended to assist in the ordering of spare parts.

For information about operating, servicing, or repairing, the relevant Safety and operating instructions must be consulted at all costs.

Please observe the safety instructions listed in the relevant Safety and operating instructions!

Spare parts list

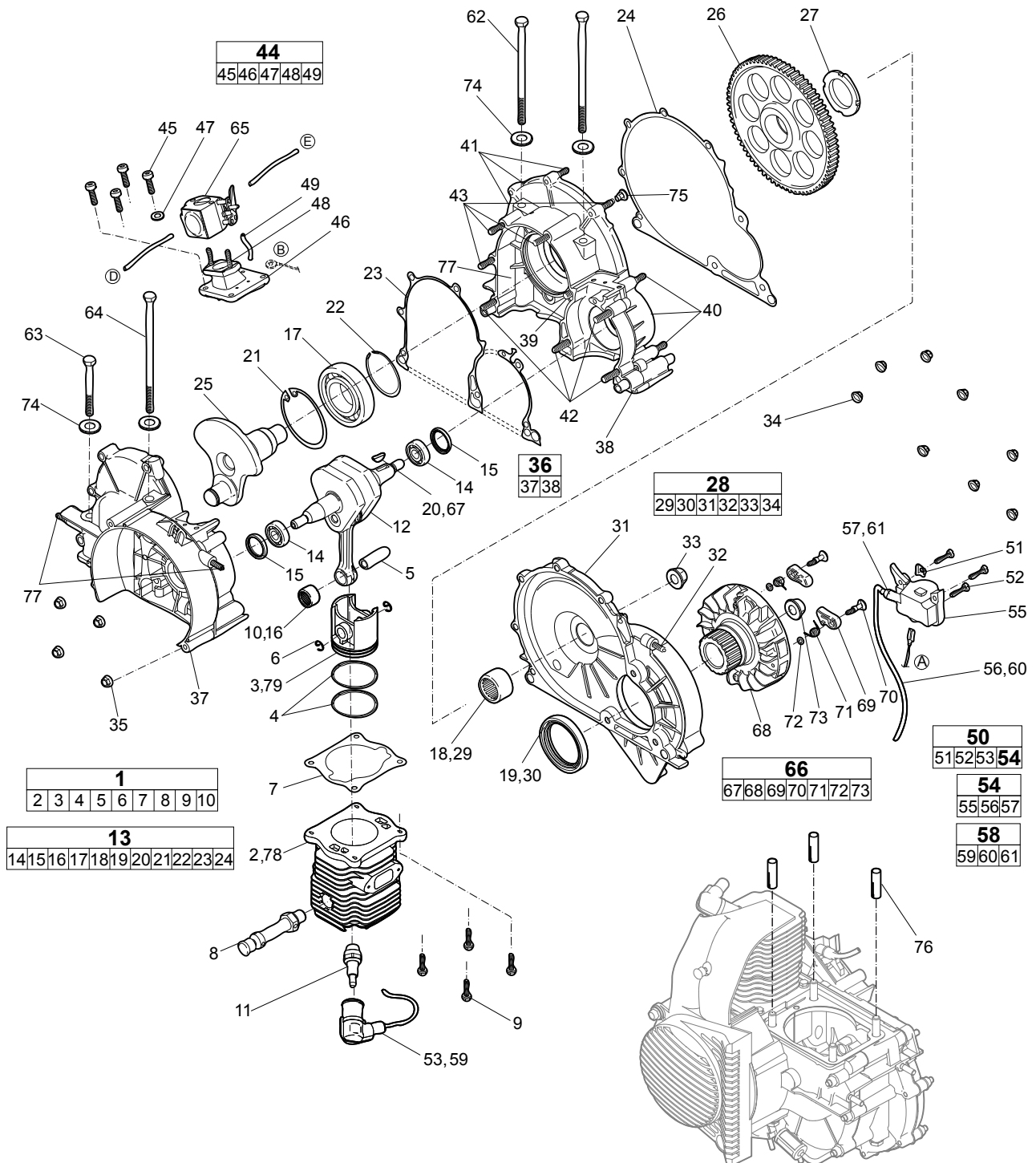
Hexagon 28 x 160, 32 x 160, 28 x 152, 32 x 152 (Body)



No.	Description	Remark	Quantity	Part number
1(2-4)	Back cover, complete		1	9234 0000 20
2	Back cover		1	-
3	Warning label		1	9234 0009 23
4	Nut	M6	4	9232 0207 50
5	Oil level label		1	9234 0003 54
6(7-9)	Front cover, complete		1	9234 0000 19
7	Front cover		1	-
8	Nut	M6	4	9232 0207 50
9	Rubber insert		1	-
10	Label	"De-compression valve"	1	9234 0003 45
11	Spark plug key		1	9234 0000 56
12(13-17)	Service cover, complete		1	9234 0015 46
13	Service cover		1	-
14	Label	"Atlas Copco"	1	9234 0009 95
15	Label	"Cobra Pro"	1	9234 0015 44
16	Rubber insert		1	-
17	Screw	M5 x 25 mm	1	9234 0005 33
18(19 -26)	Filter cover, complete		1	9234 0010 08
19	Filter cover		1	-
20	Filter cover knob		1	-
21	Label	"Start instruction"	1	9234 0003 43
22(23-26)	Label, complete		1	9234 0010 09
23	Label	"sound/shank/warnings triangle"	1	-
24	Label	"sound/shank/warnings triangle"	1	-
25	Label	"sound/shank/warnings triangle"	1	-
26	Label	"sound/shank/warnings triangle"	1	-
27(28-37)	Filter housing, complete		1	9234 0002 65
28(29-31)	Prime pump, complete		1	9234 0001 24
29	Prime pump		1	-
30	Pipe, tank connection (E)	L = 340 mm	1	9234 0002 97
31	Pipe, carburettor connection (C)	L = 169 mm	1	9234 0002 98
32	Nut	M5	2	9232 0208 80
33	Plate		1	9234 0000 63
34	Filter housing		1	-
35	Choke handle		1	9234 0000 26
36	Choke arm		1	9234 0010 30
37	Gasket		1	9234 0001 37
38	Air filter		1	9234 0001 36
39(40-50)	Starter cover, complete		1	9234 0001 14
40(41-42)	Starter cover, complete		1	9234 0006 86
41	Starter cover		1	-
42	Screw	M6SF 6 x 20 mm	3	9232 0115 30
43(44-49)	Pulley wheel, complete		1	9234 0001 15
44	Pulley wheel		1	-
45	Starter spring		1	9234 0004 91
46	Fiber washer	Inner	1	9234 0000 40
47	Washer		1	9234 0000 41
48	Locking spring		1	9234 0000 54
49	Robe		1	9234 0000 59
50	Handle		1	9234 0000 45
51(52-53)	Fan cover, complete		1	9234 0002 01
52	Fan cover		1	-
53	Screw	M6SF 6 x 20 mm	2	9232 0115 30

No.	Description	Remark	Quantity	Part number
54(55-59)	Fan, complete		1	9234 0000 81
55	Fan		1	-
56	Hub		1	9234 0000 84
57	Cup spring		1	0384 3310 00
58	Washer		1	9234 0000 85
59	Nut		1	9232 0209 00
60(61-62)	Rubber insert, complete		1	9234 0010 29
61	Rubber insert		1	-
62	Screw	M5 x 25 mm	1	9234 0005 33
63	Robe guide		1	9232 0905 30
64(65-73)	Silencer, complete	From Ser. No. KAL 25000	1	9234 0015 45
65	Silencer		1	-
66	Screw	M6SF 6 x 45 mm	2	9232 0122 00
67	Spring		2	9234 0004 86
68	Screw	M6S 6 x 128.8 mm	2	9232 0124 00
69	Gasket		1	9234 0004 13
70	Silencer insert		1	9234 0004 02
71	Gasket		1	9234 0002 67
72	Hinge		1	9234 0006 74
73	Hinge pin	FRP Ø5 x 80 mm	1	9234 0004 10
74	Heat shield		1	9234 0015 11
75(76-77)	Leaf spring, complete		1	9234 0005 81
76	Leaf spring	Right	1	9234 0001 45
77	Leaf spring	Left	1	9234 0001 44
78	Pressure plate	Top left	1	9234 0003 32
79	Screw	M6SF 6 x 16 mm 8.8 FZB	2	9234 0002 99
80	Nut	M6	6	9232 0207 50
81	Pressure plate		3	9234 0003 36
82(83-85)	End stop bracket, complete		1	9234 0001 43
83	Nut	M6	4	9232 0207 50
84	End stop bracket		2	-
85	Plastic bush		2	9234 0003 35
86	Lock ring		1	9232 0503 50
87	Dampening cushion		2	-
88	Washer		2	0301 2321 00
89	Label	"EPA"	2	-

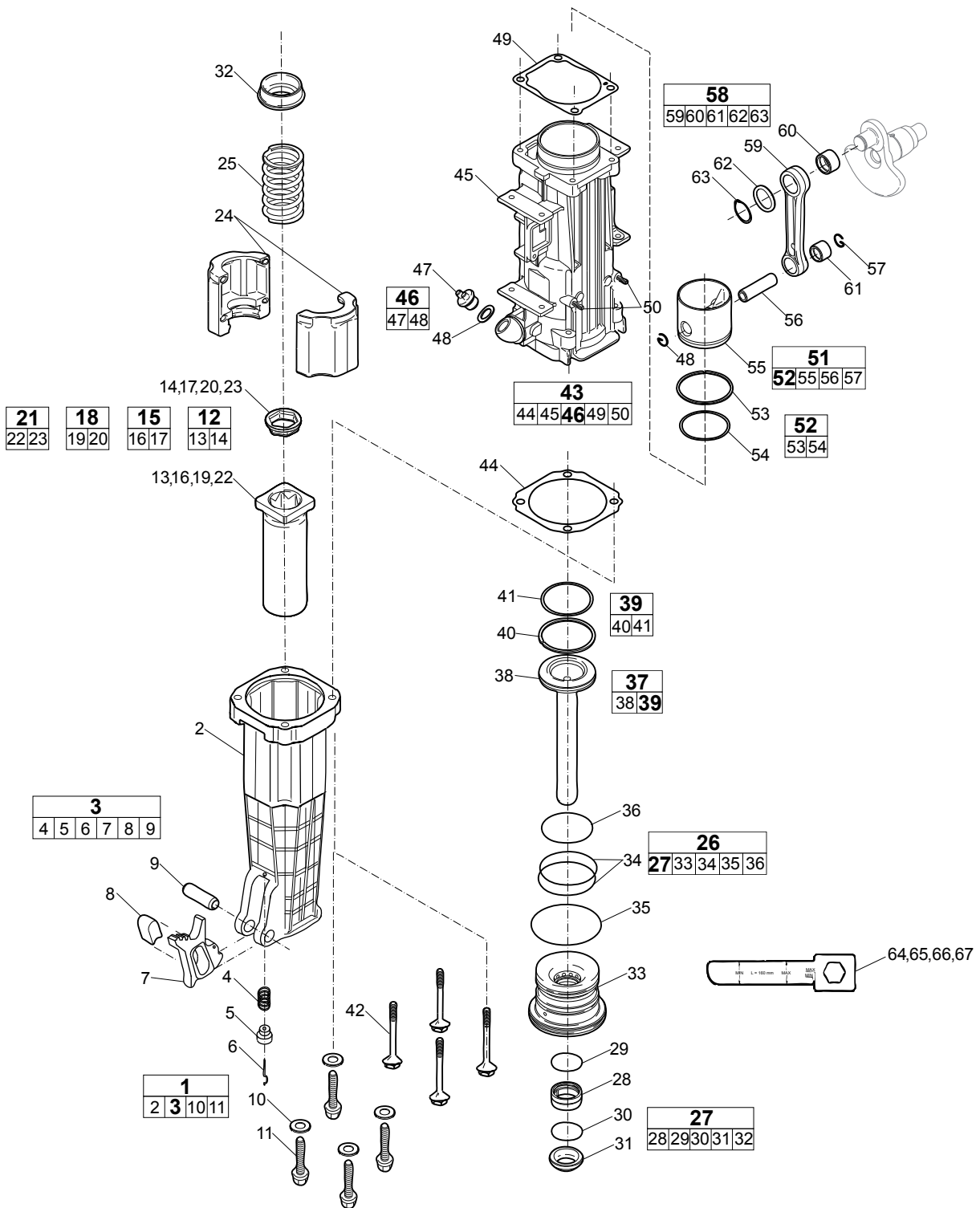
Hexagon 28 x 160, 32 x 160, 28 x 152, 32 x 152 (Motor)



No.	Description	Remark	Quantity	Part number
1(2-10)	Motor cylinder, complete		1	9234 0001 06
2	Cylinder		1	-
3	Piston		1	-
4	Piston ring		2	9234 0000 07
5	Gudgeon pin		1	9234 0000 08
6	Lock ring		2	9234 0000 09
7	Gasket		1	9234 0001 26
8	De-compression valve		1	9234 0003 40
9	Screw		4	9232 0118 80
10	Needle bearing		1	-
11	Spark plug, complete	Champion RCJ8	1	9234 0004 48
12	Motor crankshaft		1	9234 0000 38
13(14-24)	Bearing and seal, complete		1	9234 0003 18
14	Ball bearing		2	-
15	Seal		2	9234 0006 06
16	Needle bearing		1	-
17	Ball bearing		1	-
18	Needle bearing		1	9234 0003 96
19	Seal		1	9234 0000 74
20	Woodruff key		1	9232 2228 40
21	Lock ring		1	9234 0000 72
22	Lock ring		1	9234 0000 75
23	Gasket	Crankcase	1	9234 0004 14
24	Gasket	Transmission cover	1	9234 0004 15
25	Transmission axle		1	9234 0001 86
26	Transmission cog wheel		1	9234 0002 79
27	Nut	KML - 6 left	1	9234 0000 76
28(29-34)	Transmission cover, complete		1	9234 0003 20
29	Needle bearing		1	9234 0003 96
30	Seal		1	9234 0000 74
31	Transmission cover		1	-
32	Stud	M6 x 18 mm, L = 28 mm	1	9234 0004 23
33	Oil level plug	R $\frac{1}{4}$ "	1	9234 0005 27
34	Nut	M6	8	9232 0207 50
35	Nut	M6	4	9232 0207 50
36(37-38)	Crankcase, complete		1	9234 0002 82
37	Crankcase	Fan side	1	-
38	Crankcase	Transmission side	1	-
39	Stud	M6 x 70 mm, L = 85 mm	1	9234 0001 58
40	Stud	M6 x 20 mm, L = 32 mm	3	9234 0000 71
41	Stud	M6 x 25 mm, L = 40 mm	3	9234 0001 57
42	Stud	M6 x 50 mm, L = 65 mm	4	9234 0000 69
43	Stud	M6 x 30 mm, L = 45 mm	5	9234 0000 67
44(45-49)	Crankcase valve, complete		1	9234 0015 48
45	Screw		4	9232 0118 80
46	Crankcase valve		1	-
47	Washer	BRB 5.3 x 10 x 1 mm	1	0301 2318 00
48	Stud		2	9234 0001 80
49	Pipe	L = 36 mm	1	9234 0003 24

No.	Description	Remark	Quantity	Part number
50(51-57)	Electronic unit, complete		1	9234 0002 81
51	Protective washer		1	9234 0002 05
52	Screw		3	9232 0120 00
53	Spark plug cap		1	-
54(55-57)	Electronic unit, complete		1	-
55	Electronic unit		1	-
56	Ignition cable		1	-
57	Grommet		1	-
58(59-61)	Spark plug cable, complete		1	9234 0006 01
59	Spark plug cap		1	-
60	Ignition cable		1	-
61	Grommet		1	-
62	Screw	M6S 8 x 160 mm 8.8 FZB	2	0147 1347 03
63	Screw	M6S 8 x 75 mm 8.8 FZB	1	0147 1335 03
64	Screw	M6S 8 x 140 mm 8.8 FZB	1	0147 1345 03
65	Carburettor		1	-
66(67-73)	Flywheel, complete		1	9234 0003 04
67	Woodruff key		1	9232 2228 40
68	Flywheel		1	-
69	Carrier		2	9234 0000 32
70	Screw		2	9234 0001 54
71	Carrier spring		2	9234 0001 55
72	Support washer		2	9234 0002 00
73	Locking nut	M6MF M10 8.8	1	9232 0209 00
74	Washer	BRB 8.4 x 16 x 1.5 mm	4	0300 0274 74
75	Bushing		1	9232 0905 20
76	Plastic bushing		3	9234 0005 75
77	Stud	M6 x 18 mm, L = 28 mm	3	9234 0004 23
78	Cylinder		1	9234 0014 19
79	Piston		1	9234 0014 20

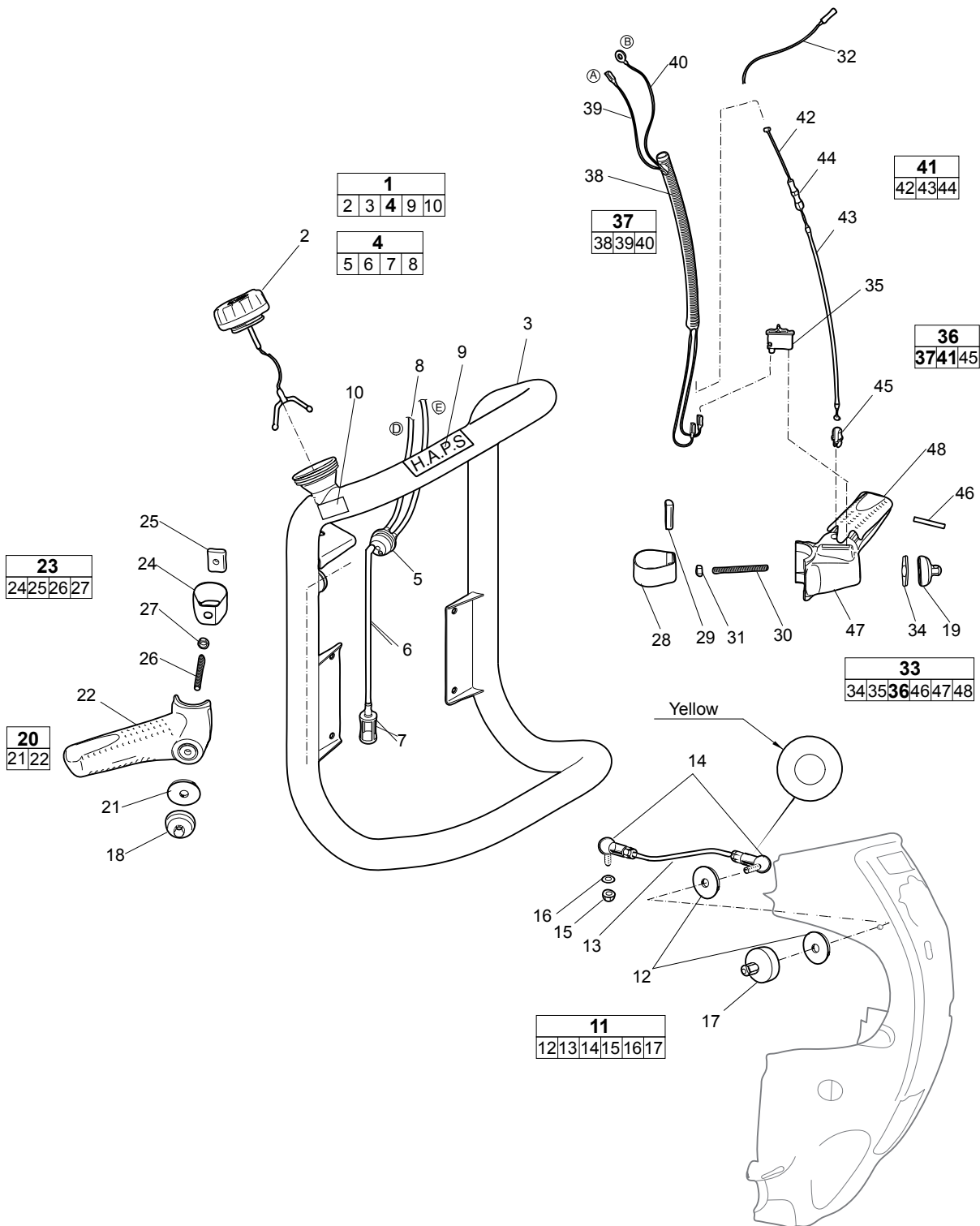
Hexagon 28 x 152 - 32 x 160 (Percussion unit)



No.	Description	Remark	Quantity	Part number
1(2-11)	Breaker housing, complete		1	9234 0005 55
2	Breaker housing		1	-
3(4-9)	Tool latch, complete		1	9234 0006 37
4	Spring		1	-
5	Guide		1	-
6	Guide pin		1	-
7	Tool latch		1	-
8	Tool latch insert		1	-
9	Spring pin		1	-
10	Washer	From Ser. No. KAL 19000	4	0300 0274 74
11	Screw	From Ser. No. KAL 19000, 25 Nm	4	9234 0010 04
12(13-14)	Tool chuck, complete		1	9234 0005 50
13	Tool chuck	28 x 152 mm 1 $\frac{1}{8}$ " x 6"	1	-
14	Seal	28.57 mm 1 $\frac{1}{8}$ "	1	9234 0005 24
15(16-17)	Tool chuck, complete		1	9234 0005 49
16	Tool chuck	28 x 160 mm 1 $\frac{1}{8}$ " x 6 $\frac{1}{4}$ "	1	-
17	Seal	28.57 mm 1 $\frac{1}{8}$ "	1	9234 0005 24
18(19-20)	Tool chuck, complete		1	9234 0005 48
19	Tool chuck	32 x 152 mm 1 $\frac{1}{4}$ " x 6"	1	-
20	Seal	31.75 mm 1 $\frac{1}{4}$ "	1	9234 0005 17
21(22-23)	Tool chuck, complete		1	9234 0005 44
22	Tool chuck	32 x 160 mm 1 $\frac{1}{4}$ " x 6 $\frac{1}{4}$ "	1	-
23	Seal	31.75 mm 1 $\frac{1}{4}$ "	1	9234 0005 17
24	Feed stop		2	9234 0005 35
25	Recoil spring		1	9234 0001 79
26(27-36)	Piston guide, complete		1	9234 0005 47
27(28-32)	Scraper ring, complete		1	9234 0005 54
28	Speed seal		1	-
29	O-ring		1	-
30	Lock ring		1	-
31	Scraper ring		1	-
32	Support ring		1	9234 0005 36
33	Piston guide		1	-
34	O-ring		2	9234 0002 28
35	O-ring		1	9234 0002 29
36	O-ring		1	9234 0002 30
37(38-41)	Hammer piston, complete		1	9234 0003 00
38	Hammer piston		1	-
39(40-41)	Piston ring, complete		1	9234 0002 71
40	Piston ring		1	-
41	O-ring		1	-
42	Screw		4	9234 0005 80

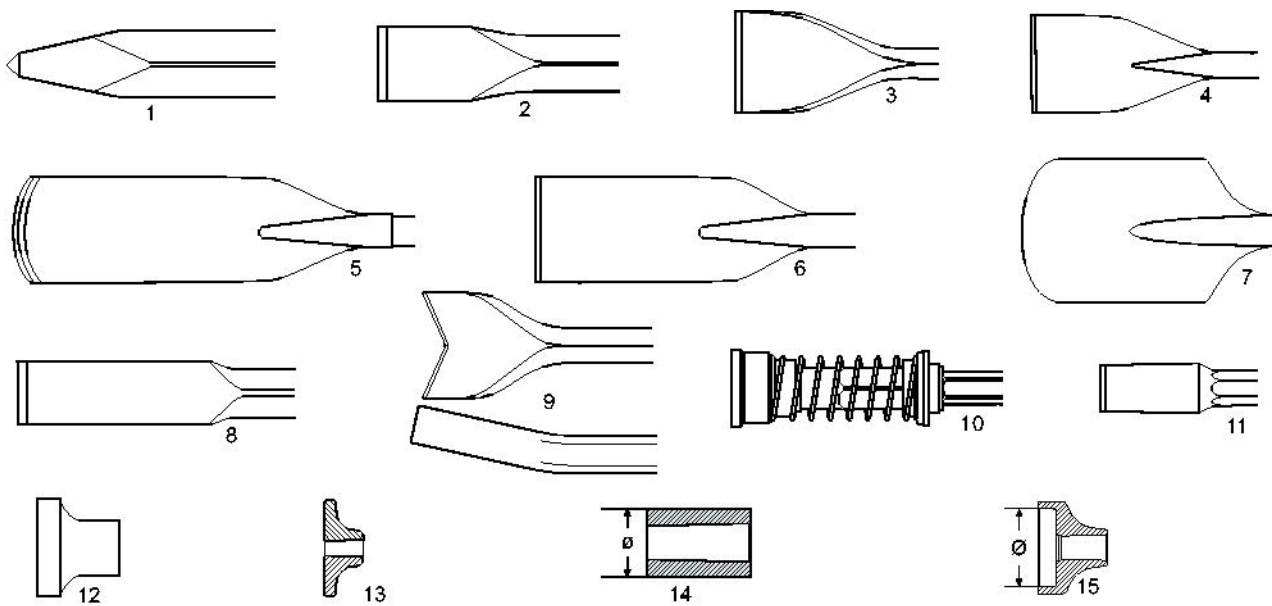
No.	Description	Remark	Quantity	Part number
43(44-50)	Hammer cylinder, complete		1	9234 0004 08
44	Gasket		1	9234 0001 28
45	Hammer cylinder		1	-
46(47-48)	Oil plug, complete		1	9232 0123 51
47	Oil plug		1	-
48	O-ring		1	9232 0310 90
49	Gasket		1	9234 0001 27
50	Stud	M6 x 18 mm, L = 28 mm	2	9234 0004 23
51(52-57)	Drive piston, complete		1	9234 0003 01
52(53-54)	Piston ring, complete		1	9234 0002 71
53	Piston ring		1	-
54	O-ring		1	-
55	Drive piston		1	-
56	Gudgeon pin		1	9234 0002 45
57	Circlip		2	9232 0505 60
58(59-63)	Connection rod, complete		1	9234 0002 49
59	Connection rod		1	-
60	Needle bearing		1	9234 0003 96
61	Needle bearing		1	4090 0369 00
62	Shim		1	9234 0004 12
63	Lock ring		1	9234 0002 84
64	Template	28 x 152 mm 1 $\frac{1}{8}$ " x 6"	1	9238 2743 00
65	Template	28 x 160 mm 1 $\frac{1}{8}$ " x 6 $\frac{1}{4}$ "	1	9238 2743 10
66	Template	32 x 152 mm 1 $\frac{1}{4}$ " x 6"	1	9238 2738 70
67	Template	32 x 160 mm 1 $\frac{1}{4}$ " x 6 $\frac{1}{4}$ "	1	9238 2738 80

Hexagon 28 x 160, 32 x 160, 28 x 152, 32 x 152 (Fuel tank)

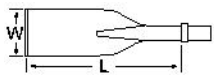


No.	Description	Remark	Quantity	Part number
1(2-10)	Handle frame and fuel tank, complete		1	9234 0006 47
2	Tank cap		1	9234 0015 19
3	Handle frame		1	-
4(5-8)	Tank grommet, complete		1	9234 0004 84
5	Tank grommet		1	-
6	Pipe, fuel filter	L = 625 mm	1	9234 0004 85
7	Filter		1	9232 2306 00
8	Pipe, tank connection	L = 340 mm	1	9234 0002 97
9	Label	"H.A.P.S"	1	9234 0006 05
10	Label	"Oil mix 2%"	1	9234 0009 09
11(12-17)	Stabilization arm, complete		1	9234 0007 50
12	Washer		2	9234 0005 84
13	Stabilization arm		1	-
14	Toggle joint		2	-
15	Nut	M6, DIN 6927	1	9232 0207 50
16	Washer	6.4 x 12 mm, T = 1.5	1	0301 2321 00
17	Handle locking nut		1	9234 0002 18
18	Handle locking nut		1	9234 0002 18
19	Handle locking nut		1	9234 0002 18
20(21-22)	Handle, complete	Right	1	9234 0005 68
21	Washer		1	9234 0005 84
22	Handle	Right	1	-
23(24-27)	Handle strap, complete		1	9234 0002 78
24	Strap		1	-
25	Nut		1	-
26	Stud		1	-
27	Nut	M6MF M6	1	9234 0005 10
28	Strap		1	-
29	Nut		1	-
30	Stud		1	-
31	Nut	M6MF M6	1	9234 0005 10
32	Plastic tie band		1	9234 0004 69
33(34-48)	Handle, complete	Left	1	9234 0005 69
34	Washer		1	9234 0005 84
35	Stop switch		1	9234 0001 11
36(37-45)	Protection pipe, complete		1	9234 0005 32
37(38-40)	Protection pipe, complete		1	9234 0002 55
38	Protection pipe		1	-
39	Cable, induction coil	L = 690 mm	1	-
40	Cable, earth connection	L = 395 mm	1	-
41(42-44)	Throttle cable, complete		1	9234 0002 12
42	Wire		1	-
43	Outer cable		1	-
44	Adjustment screw with nut		1	-
45	Nipple		1	9234 0004 90
46	Cylindrical pin	CP 5 x 32 mm	1	9234 0005 65
47	Handle	Left	1	9234 0004 87
48	Throttle control		1	9234 0005 25

Working tools

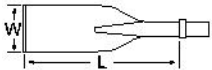


ISO standard hexagon 28 x 160 mm (1 1/8" x 6 1/4")



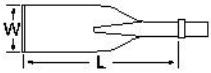
No.	Description	W (mm)	L (mm)	Part number
1	Moil point	-	380	3083 3271 00
		-	450	3083 3272 00
		-	1000	3083 3273 00
2	Narrow chisel	-	380	3083 3274 00
		-	450	3083 3275 00
		-	1000	3083 3276 00
3	Wide chisel	75	380	3083 3277 00
4	Asphalt cutter	115	300	3083 3278 00
5	Digging chisel	75	380	3083 3279 00
6	Digging spade	125	380	3083 3280 00
7	Clay spade	140	380	3083 3281 00
8	Wedge chisel	40	400	3083 3282 00
9	Tie tamper	100	400	3083 3319 00
11	Shaft for tamping pad	-	230	3083 3283 01
12	Tamping pad, round	180	-	3083 3301 00
13	Tamping pad, square	150	-	3083 3302 00
		200	-	3083 3197 00
14	Driver blank	80	-	9245 2827 10
15	Driver pad	120	-	3376 1120 79
		150	-	3376 1120 77

ISO standard hexagon 32 x 160 mm (1¼" x 6¼")



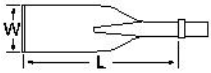
No.	Description	W (mm)	L (mm)	Part number
1	Moil point	-	380	3083 3205 00
		-	450	3083 3206 00
		-	1000	3083 3207 00
2	Narrow chisel	-	380	3083 3208 00
		-	450	3083 3209 00
		-	1000	3083 3210 00
3	Wide chisel	75	380	3083 3211 00
4	Asphalt cutter	115	300	3083 3212 00
5	Digging chisel	75	380	3083 3213 00
6	Digging spade	125	380	3083 3214 00
7	Clay spade	140	380	3083 3215 00
8	Wedge chisel	40	400	3083 3216 00
9	Tie tamper	100	400	3083 3217 00
		100	580	3083 3217 10
10	Spiking tool	-	195	9245 2826 81
11	Shaft for tamping pad	-	235	3083 3218 01
12	Tamping pad, round	180	-	3083 3301 00
13	Tamping pad, square	150	-	3083 3302 00
		200	-	3083 3197 00
14	Driver blank	80	-	9245 2827 10
15	Driver pad	120	-	3376 1120 79
		150	-	3376 1120 77

US standard hexagon 1 1/8" x 6" (28 x 152 mm)



No.	Description	W (in.)	L (in.)	Part number
1	Moil point	-	14	3083 3267 00
		-	18	3083 4015 10
		-	24	3083 4015 20
2	Narrow chisel	-	14	3083 3268 00
		-	18	3083 4016 10
		-	24	3083 4016 20
3	Wide chisel	3	15	3083 3289 00
		3	18	3083 4017 00
4	Asphalt cutter	5	13	3083 3290 00
		4 1/2	11	3083 4019 00
5	Digging chisel	3	15	3083 3291 00
6	Digging spade	5	13	3083 3292 00
7	Clay spade	5 1/2	15	3083 3293 00
8	Wedge chisel	2	16	3083 3294 00
11	Shaft for tamping pad	-	9	3083 3269 00
12	Tamping pad, round	7	-	3083 3301 00
13	Tamping pad, square	6	-	3083 3302 00
		8	-	3083 3197 00
14	Driver blank	3	-	9245 2827 10
15	Driver pad	4.7	-	3376 1120 79
		5.9	-	3376 1120 77

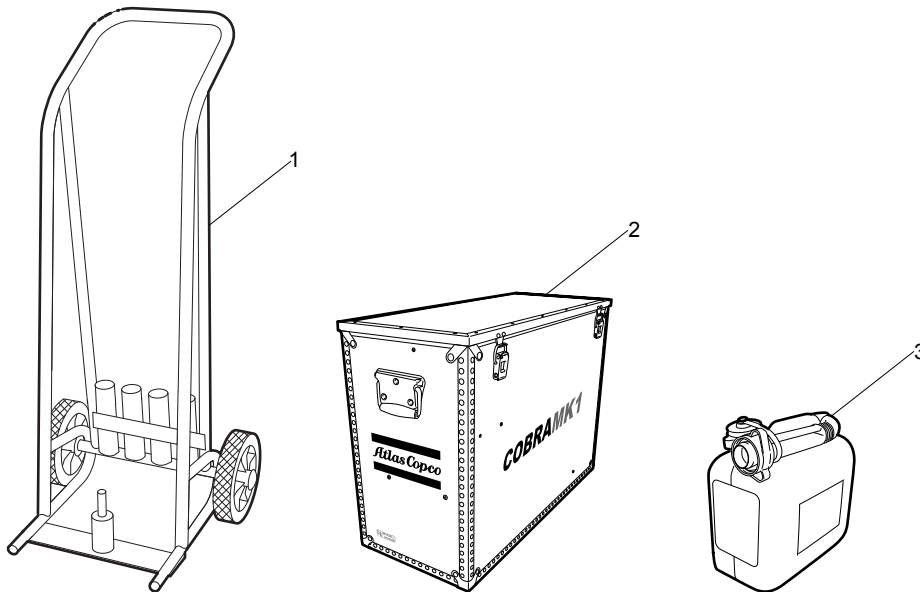
US standard hexagon 1¼" x 6" (32 x 152 mm)



No.	Description	W (in.)	L (in.)	Part number
1	Moil point	-	14	3083 3205 00
		-	18	3083 3206 00
		-	24	3083 3207 00
2	Narrow chisel	-	14	3083 3208 00
		-	18	3083 3209 00
		-	24	3083 3210 00
3	Wide chisel	3	15	3083 3211 00
		3	18	3083 3212 00
4	Asphalt cutter	5	13	3083 3213 00
		4½	12	3083 3214 00
5	Digging chisel	3	15	3083 3215 00
6	Digging spade	5	13	3083 3216 00
7	Clay spade	5½	15	3083 3217 00
8	Wedge chisel	2	16	3083 3217 10
9	Tie tamper	4	16	9245 2826 81
11	Shaft for tamping pad	-	9	3083 3218 01
12	Tamping pad, round	7	-	3083 3301 00
13	Tamping pad, square	6	-	3083 3302 00
		8	-	3083 3197 00
14	Driver blank	3	-	9245 2827 10
15	Driver pad	4.7	-	3376 1120 79
		5.9	-	3376 1120 77

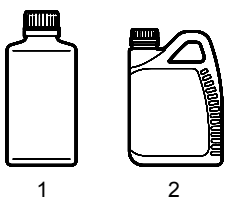
Accessories

Accessories



No.	Description	Remark	Quantity	Part number
1	Trolley		1	9234 0006 54
2	Transport box		1	9234 0009 91
3	Fuel can	5.0 litres	1	9234 0008 97

Motor oil



No.	Description	Remark	Quantity	Part number
1	2-stroke oil (motor oil)	1l (fully synthetic and biodegradable)	1	9238 2743 50
1	2-stroke oil (motor oil)	1l (fully synthetic and biodegradable)	12	9234 0014 06
2	Cobra & compactor impact-oil (transmission oil)	1l (for impact and transmission unit)	1	9234 0012 03
2	Cobra & compactor impact-oil (transmission oil)	1l (for impact and transmission unit)	20	9234 0014 05

Kits

Service kit

One month service kit

Part number 9234 0006 87

Description	Remark	Quantity	Part number
Spark plug		1	9234 0004 48
Air filter		1	9234 0001 36

Three months service kit

Part number 9234 0006 88

Description	Remark	Quantity	Part number
One month service kit		1	9234 0006 87
Scraper ring kit		1	9234 0005 54
Gasket		1	9234 0001 28

Six months service kit

Part number 9234 0006 89

Description	Remark	Quantity	Part number
Three months service kit		1	9234 0006 88
O-ring		2	9234 0002 28
O-ring		1	9234 0002 29
O-ring		1	9234 0002 30
Filter		1	9232 2306 00
Piston ring kit		2	9234 0002 71
Gasket		1	9234 0001 27
Gasket		1	9234 0001 37
Plastic bushing		2	9234 0003 35
Plastic bushing		3	9234 0005 75
Gasket		1	9234 0004 13
Gasket		1	9234 0002 67

Twelve months service kit

Part number 9234 0006 90

Description	Remark	Quantity	Part number
Six months service kit		1	9234 0006 89
Bearing and seal kit		1	9234 0003 18
Piston ring		2	9234 0000 07
Gasket		1	9234 0001 26

Seal kit

Description	Remark	Quantity	Part number
Complete seal kit	Includes all seals for an overhaul	1	9234 0006 91
Gasket		1	9234 0001 37
Gasket		1	9234 0004 13
Gasket		1	9234 0002 67
Gasket		1	9234 0001 26
Seal		2	9234 0006 06
Seal		1	9234 0000 74
Gasket, crankcase		1	9234 0004 14
Gasket, transmission		1	9234 0004 15
Seal	1-¼"	1	9234 0005 17
Seal	1-⅝"	1	9234 0005 24
Scraper ring kit		1	9234 0005 54
Speed seal		1	-
O-ring		1	-
Lock ring		1	-
Scraper ring		1	-
Support ring		1	9234 0005 36
O-ring		2	9234 0002 28
O-ring		1	9234 0002 29
O-ring		1	9234 0002 30
Piston ring kit		1	9234 0002 71
Piston ring		2	-
O-ring		2	-
Gasket		1	9234 0001 28
O-ring		1	9232 0310 90
Gasket		1	9234 0001 27

Carburettor repair kit

Description	Remark	Quantity	Part number
Carburettor repair kit		1	9234 0009 12
Gasket		1	-
Gasket		1	-
Diaphragm		1	-
Diaphragm		1	-

Part number	Page	No.
0147 1335 03	12	63
0147 1345 03	12	64
0147 1347 03	12	62
0300 0274 74	12 15	74 10
0301 2318 00	11	47
0301 2321 00	8 19	88 16
0384 3310 00	8	57
3083 3197 00	20 21 22 23	13 13 13 13
3083 3205 00	21 23	1 1
3083 3206 00	21 23	1 1
3083 3207 00	21 23	1 1
3083 3208 00	21 23	2 2
3083 3209 00	21 23	2 2
3083 3210 00	21 23	2 2
3083 3211 00	21 23	3 3
3083 3212 00	21 23	4 3
3083 3213 00	21 23	5 4
3083 3214 00	21 23	6 4
3083 3215 00	21 23	7 5
3083 3216 00	21 23	8 6
3083 3217 00	21 23	9 7
3083 3217 10	21 23	9 8
3083 3218 01	21 23	11 11
3083 3267 00	22	1
3083 3268 00	22	2
3083 3269 00	22	11
3083 3271 00	20	1
3083 3272 00	20	1
3083 3273 00	20	1
3083 3274 00	20	2
3083 3275 00	20	2
3083 3276 00	20	2
3083 3277 00	20	3
3083 3278 00	20	4
3083 3279 00	20	5
3083 3280 00	20	6
3083 3281 00	20	7
3083 3282 00	20	8
3083 3283 01	20	11

Part number	Page	No.
3083 3289 00	22	3
3083 3290 00	22	4
3083 3291 00	22	5
3083 3292 00	22	6
3083 3293 00	22	7
3083 3294 00	22	8
3083 3301 00	20 21 22 23	12 12 12 12
3083 3302 00	20 21 22 23	13 13 13 13
3083 3319 00	20	9
3083 4015 10	22	1
3083 4015 20	22	1
3083 4016 10	22	2
3083 4016 20	22	2
3083 4017 00	22	3
3083 4019 00	22	4
3376 1120 77	20 21 22 23	15 15 15 15
3376 1120 79	20 21 22 23	15 15 15 15
4090 0369 00	16	61
9232 0115 30	7 7	42 53
9232 0118 80	11 11	9 45
9232 0120 00	12	52
9232 0122 00	8	66
9232 0123 51	16	46
9232 0124 00	8	68
9232 0207 50	7 7 8 8 8 11 11 19	4 8 80 83 34 35 15
9232 0208 80	7	32
9232 0209 00	8 12	59 73
9232 0310 90	16 26	48
9232 0503 50	8	86
9232 0505 60	16	57
9232 0905 20	12	75
9232 0905 30	8	63
9232 2228 40	11 12	20 67
9232 2306 00	19 25	7
9234 0000 07	11 25	4

Part number	Page	No.
9234 0000 08	11	5
9234 0000 09	11	6
9234 0000 19	7	6
9234 0000 20	7	1
9234 0000 26	7	35
9234 0000 32	12	69
9234 0000 38	11	12
9234 0000 40	7	46
9234 0000 41	7	47
9234 0000 45	7	50
9234 0000 54	7	48
9234 0000 56	7	11
9234 0000 59	7	49
9234 0000 63	7	33
9234 0000 67	11	43
9234 0000 69	11	42
9234 0000 71	11	40
9234 0000 72	11	21
9234 0000 74	11 11 26	19 30
9234 0000 75	11	22
9234 0000 76	11	27
9234 0000 81	8	54
9234 0000 84	8	56
9234 0000 85	8	58
9234 0001 06	11	1
9234 0001 11	19	35
9234 0001 14	7	39
9234 0001 15	7	43
9234 0001 24	7	28
9234 0001 26	11 25 26	7
9234 0001 27	16 25 26	49
9234 0001 28	16 25 26	44
9234 0001 36	7 25	38
9234 0001 37	7 25 26	37
9234 0001 43	8	82
9234 0001 44	8	77
9234 0001 45	8	76
9234 0001 54	12	70
9234 0001 55	12	71
9234 0001 57	11	41
9234 0001 58	11	39
9234 0001 79	15	25
9234 0001 80	11	48
9234 0001 86	11	25
9234 0002 00	12	72

Part number	Page	No.
9234 0002 01	7	51
9234 0002 05	12	51
9234 0002 12	19	41
9234 0002 18	19	17
	19	18
	19	19
9234 0002 28	15	34
	25	
	26	
9234 0002 29	15	35
	25	
	26	
9234 0002 30	15	36
	25	
	26	
9234 0002 45	16	56
9234 0002 49	16	58
9234 0002 55	19	37
9234 0002 65	7	27
9234 0002 67	8	71
	25	
	26	
9234 0002 71	15	39
	16	52
	25	
	26	
9234 0002 78	19	23
9234 0002 79	11	26
9234 0002 81	12	50
9234 0002 82	11	36
9234 0002 84	16	63
9234 0002 97	7	30
	19	8
9234 0002 98	7	31
9234 0002 99	8	79
9234 0003 00	15	37
9234 0003 01	16	51
9234 0003 04	12	66
9234 0003 18	11	13
	25	
9234 0003 20	11	28
9234 0003 24	11	49
9234 0003 32	8	78
9234 0003 35	8	85
	25	
9234 0003 36	8	81
9234 0003 40	11	8
9234 0003 43	7	21
9234 0003 45	7	10
9234 0003 54	7	5
9234 0003 96	11	18
	11	29
	16	60
9234 0004 02	8	70
9234 0004 08	16	43
9234 0004 10	8	73
9234 0004 12	16	62

Part number	Page	No.
9234 0004 13	8	69
	25	
	26	
9234 0004 14	11	23
	26	
9234 0004 15	11	24
	26	
9234 0004 23	11	32
	12	77
	16	50
9234 0004 48	11	11
	25	
9234 0004 69	19	32
9234 0004 84	19	4
9234 0004 85	19	6
9234 0004 86	8	67
9234 0004 87	19	47
9234 0004 90	19	45
9234 0004 91	7	45
9234 0005 10	19	27
	19	31
9234 0005 17	15	20
	15	23
	26	
9234 0005 24	15	14
	15	17
	26	
9234 0005 25	19	48
9234 0005 27	11	33
9234 0005 32	19	36
9234 0005 33	7	17
	8	62
9234 0005 35	15	24
9234 0005 36	15	32
	26	
9234 0005 44	15	21
9234 0005 47	15	26
9234 0005 48	15	18
9234 0005 49	15	15
9234 0005 50	15	12
9234 0005 54	15	27
	25	
	26	
9234 0005 55	15	1
9234 0005 65	19	46
9234 0005 68	19	20
9234 0005 69	19	33
9234 0005 75	12	76
	25	
9234 0005 80	15	42
9234 0005 81	8	75
9234 0005 84	19	12
	19	21
	19	34
9234 0006 01	12	58
9234 0006 05	19	9
9234 0006 06	11	15
	26	
9234 0006 37	15	3

Part number	Page	No.
9234 0006 47	19	1
9234 0006 54	24	1
9234 0006 74	8	72
9234 0006 86	7	40
9234 0006 87	25	
9234 0006 88	25	
9234 0006 89	25	
9234 0006 91	26	
9234 0007 50	19	11
9234 0008 97	24	3
9234 0009 09	19	10
9234 0009 12	26	
9234 0009 23	7	3
9234 0009 91	24	2
9234 0009 95	7	14
9234 0010 04	15	11
9234 0010 08	7	18
9234 0010 09	7	22
9234 0010 29	8	60
9234 0010 30	7	36
9234 0012 03	24	2
9234 0014 05	24	2
9234 0014 06	24	1
9234 0014 19	12	78
9234 0014 20	12	79
9234 0015 11	8	74
9234 0015 19	19	2
9234 0015 44	7	15
9234 0015 45	8	64
9234 0015 46	7	12
9234 0015 48	11	44
9238 2738 70	16	66
9238 2738 80	16	67
9238 2743 00	16	64
9238 2743 10	16	65
9238 2743 50	24	1
9245 2826 81	21	10
	23	9
9245 2827 10	20	14
	21	14
	22	14
	23	14



Any unauthorized use or copying of the contents or any part thereof is prohibited.
This applies in particular to trademarks, model denominations, part numbers, and
drawings.

© 2009 Atlas Copco Construction Tools AB | No. 9800 0957 01a | 2009-11-26

www.atlascopco.com