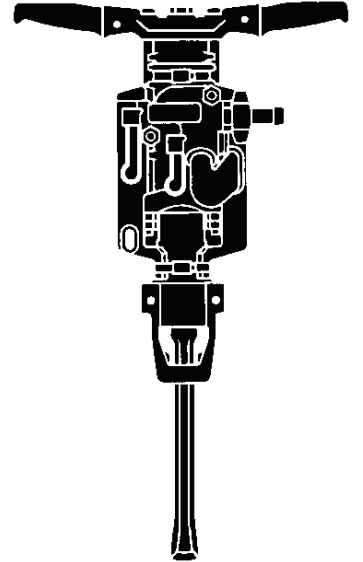


Spare parts list

Rock drills



Contents

General information.....	5
Spare parts list.....	6
RH 571-5L.....	6
RH 571-5LS.....	8
Accessories.....	11
Accessories.....	11
Optional equipment.....	11
Rock drill AIR-OIL.....	12

General information

This spare parts list applies to the following:

Part number	Description
8311 0301 29	Rock drill RH 571-5L
8311 0301 37	Rock drill RH 571-5LS

Use only authorized parts. Any damage or malfunction caused by the use of unauthorized parts is not covered by Warranty or Product Liability. Any unauthorized use or copying of the contents or any part thereof is prohibited. This applies in particular to trademarks, model denominations, part numbers, and drawings.

Instructions for use

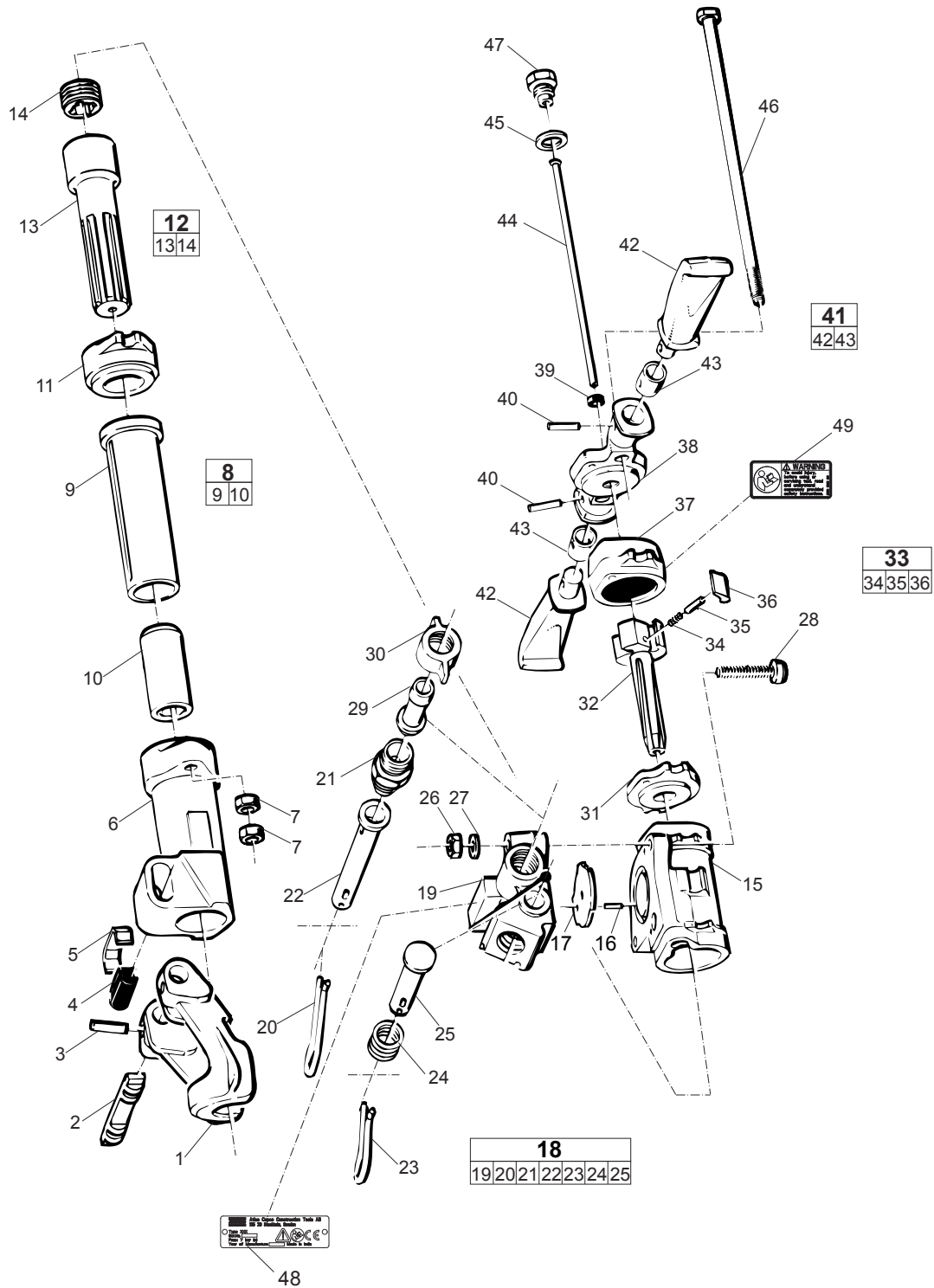
This spare parts list contains no safety regulations and is merely intended to assist in the ordering of spare parts.

For information about operating, servicing, or repairing, the relevant Safety and operating instructions must be consulted at all costs.

Please observe the safety instructions listed in the relevant Safety and operating instructions!

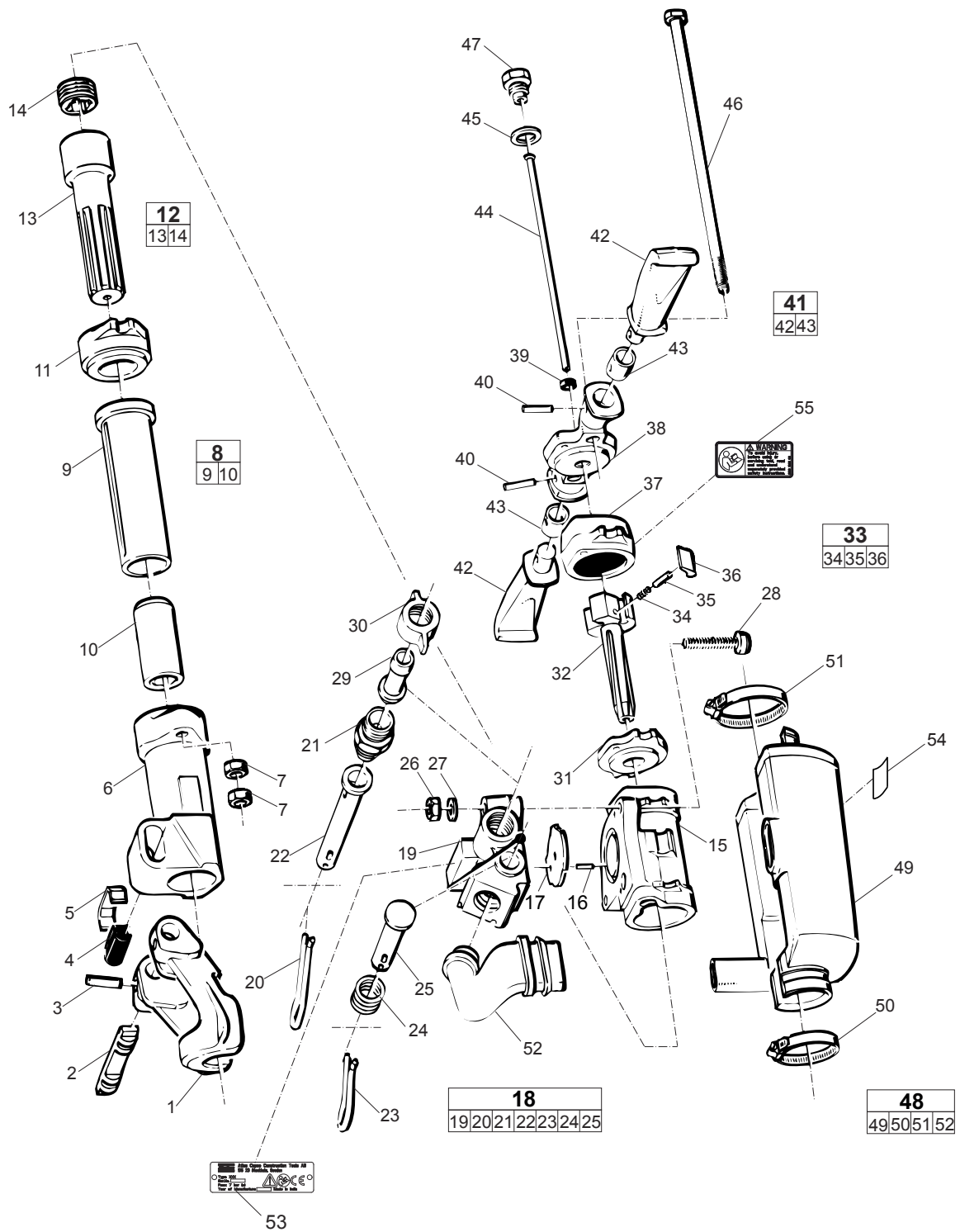
Spare parts list

RH 571-5L



No.	Description	Remark	Quantity	Part number
1	Drill steel retainer		1	3121 0851 00
2	Retainer pin		1	3121 0852 00
3	Tension pin	Ø 10 x 40 mm Ø 0.39 x 1.57 in.	2	0108 3392 00
4	Rubber buffer		1	3121 0030 00
5	Buffer plate		1	3121 0029 00
6	Front head		1	3111 0141 00
7	Nut		4	0266 1208 00
8(9-10)	Rotation chuck, complete		1	3111 0185 80
9	Rotation chuck		1	-
10	Chuck bushing	Hexagon 22 x 108 mm Hexagon 7/8 x 4 1/4 in.	1	3111 0186 00
11	Intermediate part		1	3111 0143 00
12(13-14)	Piston, complete		1	3111 0162 80
13	Piston		1	-
14	Rifle nut		1	3100 9299 08
15	Cylinder		1	3106 0825 00
16	Spring pin	Ø 4 x 16 mm Ø 0.16 x 0.63 in.	1	0108 1238 00
17	Main valve		1	3101 1586 01
18(19-25)	Throttle housing, complete		1	3115 1163 80
19	Throttle housing		1	-
20	Lever		1	3115 1191 00
21	Hexagon nipple		1	9000 0345 00
22	Throttle valve		1	3115 1190 00
23	Lever		1	3101 3664 00
24	Coil spring		1	3001 3957 01
25	Exhaust valve		1	3101 4988 00
26	Nut		2	3000 1345 00
27	Lock washer		2	0333 3139 00
28	Bolt		2	3100 0194 06
29	Hose nipple	3/4 in.	1	3115 1543 00
30	Wing nut		1	9000 0338 00
31	Cover		1	3106 0827 00
32	Rifle bar		1	3111 0145 00
33(34-36)	Pawl, complete		1	3115 9200 90
34	Pressure spring		4	3100 9140 02
35	Pawl pin		4	3100 9641 01
36	Pawl		4	3101 3159 00
37	Ratchet ring		1	3115 1167 00
38	Back head		1	3115 1166 00
39	Rubber packing		1	3000 0121 00
40	Spring pin	Ø 8 x 36 mm Ø 0.31 x 1.42 in.	2	0108 1360 00
41(42-43)	Handle, complete		1	3310 0569 80
42	Handle		2	-
43	Bushing		2	3310 0572 00
44	Air flushing tube		1	3111 0140 00
45	Seal washer		1	3100 9341 00
46	Side bolt		2	3111 0144 00
47	Plug		1	3100 0120 00
48	Data plate		1	-
49	Safety label		1	3310 1602 00

RH 571-5LS



No.	Description	Remark	Quantity	Part number
1	Drill steel retainer		1	3121 0851 00
2	Retainer pin		1	3121 0852 00
3	Tension pin	Ø 10 x 40 mm Ø 0.39 x 1.57 in.	2	0108 3392 00
4	Rubber buffer		1	3121 0030 00
5	Buffer plate		1	3121 0029 00
6	Front head		1	3111 0141 00
7	Nut		4	0266 1208 00
8(9-10)	Rotation chuck, complete		1	3111 0185 80
9	Rotation chuck		1	-
10	Chuck bushing	Hexagon 22 x 108 mm Hexagon 7/8 x 4 1/4 in.	1	3111 0186 00
11	Intermediate part		1	3111 0143 00
12(13-14)	Piston, complete		1	3111 0162 80
13	Piston		1	-
14	Rifle nut		1	3100 9299 08
15	Cylinder		1	3106 0825 00
16	Spring pin	Ø 4 x 16 mm Ø 0.16 x 0.63 in.	1	0108 1238 00
17	Main valve		1	3101 1586 01
18(19-25)	Throttle housing, complete		1	3115 1163 80
19	Throttle housing		1	-
20	Lever		1	3115 1191 00
21	Hexagon nipple		1	9000 0345 00
22	Throttle valve		1	3115 1190 00
23	Lever		1	3101 3664 00
24	Coil spring		1	3001 3957 01
25	Exhaust valve		1	3101 4988 00
26	Nut		2	3000 1345 00
27	Lock washer		2	0333 3139 00
28	Bolt		2	3100 0194 06
29	Hose nipple	3/4 in.	1	3115 1543 00
30	Wing nut		1	9000 0338 00
31	Cover		1	3106 0827 00
32	Rifle bar		1	3111 0145 00
33(34-36)	Pawl, complete		1	3115 9200 90
34	Pressure spring		4	3100 9140 02
35	Pawl pin		4	3100 9641 01
36	Pawl		4	3101 3159 00
37	Ratchet ring		1	3115 1167 00
38	Back head		1	3115 1166 00
39	Rubber packing		1	3000 0121 00
40	Spring pin	Ø 8 x 36 mm Ø 0.31 x 1.42 in.	2	0108 1360 00
41(42-43)	Handle, complete		1	3310 0569 80
42	Handle		2	-
43	Bushing		2	3310 0572 00
44	Air flushing tube		1	3111 0140 00
45	Seal washer		1	3100 9341 00
46	Side bolt		2	3111 0144 00
47	Plug		1	3100 0120 00

No.	Description	Remark	Quantity	Part number
48(49-52)	Silencer, complete		1	3115 2485 81
49	Silencer		1	3115 2485 80
50	Hose clamp	Ø 62-79 mm Ø 2.44-3.11 in.	1	0347 6114 00
51	Hose clamp	Ø 77-87 mm Ø 3.03-3.43 in.	1	0347 6116 00
52	Connecting pipe		1	3115 1141 00
53	Data plate		1	-
54	Product label	"Atlas Copco"	1	0690 1356 00
55	Safety label		1	3310 1602 00

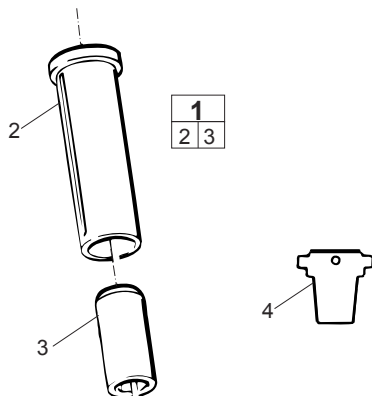
Accessories

Accessories

Description	Remark	Quantity	Part number
Lubricator CLG 30, European type claw couplings	For mineral & synthetic oil	1	8202 5102 39
Lubricator CLG 30, US type claw couplings	For mineral & synthetic oil	1	8202 5102 40
Lubricator BLG 30, European type claw couplings	For mineral oil	1	8202 5102 05
Lubricator BLG 30, US type claw couplings	For mineral oil	1	8202 5102 14
Water separator VAM 01, European type claw couplings	Airflow < 50 l/s Airflow < 106 ft ³ /min	1	8092 0110 58
Water separator VAM 01, US type claw couplings	Airflow < 50 l/s Airflow < 106 ft ³ /min	1	8092 0110 59
Water separator VAM 5A, European type claw couplings	Airflow < 120 l/s Airflow < 254 ft ³ /min	1	8092 0110 82
Water separator VAM 5A, US type claw couplings	Airflow < 120 l/s Airflow < 254 ft ³ /min	1	8092 0110 83
Hose nipple (Standard on RH 571-5L & RH 571-5LS)	ø 19 mm ø ¾ in.	1	3115 1543 00
Rubber hose, pre-mounted with European type claw couplings, 3 m (118 in.)	ø 19 mm ø ¾ in.	1	9030 2047 00
Rubber hose, pre-mounted with US type claw couplings, 3 m (118 in.)	ø 19 mm ø ¾ in.	1	9030 2065 00
X-LITE flat hose, pre-mounted with European type claw couplings, 3 m (118 in.)	ø 19 mm ø ¾ in.	1	9030 2163 00

Optional equipment

RH 571-5L, RH 571-5LS



No.	Description	Remark	Quantity	Part number
1(2-3)	Rotation chuck, complete	Hexagon 19 x 108 mm Hexagon ¾ x 4¼ in.	1	3111 0185 81
2	Rotation chuck		1	-
3	Chuck bushing	Hexagon 19 x 108 mm Hexagon ¾ x 4¼ in.	1	3111 0192 00
4	Gauge	Hexagon 22 mm Hexagon ⅞ in.	1	9238 2707 90

Rock drill AIR-OIL

Description	Remark	Quantity	Part number
Rock drill AIR-OIL	1 l 0.22 US gal	1	8099 0201 01
Rock drill AIR-OIL	1 l 0.22 US gal	12	8099 0201 81
Rock drill AIR-OIL	4 l 0.88 US gal	1	8099 0201 04
Rock drill AIR-OIL	4 l 0.88 US gal	4	8099 0201 84
Rock drill AIR-OIL	10 l 2.2 US gal	1	8099 0201 10



Any unauthorized use or copying of the contents or any part thereof is prohibited.
This applies in particular to trademarks, model denominations, part numbers, and
drawings.

© 2010 Atlas Copco Construction Tools AB | No. 9800 0808 01 | 2010-06-22

www.atlascopco.com