

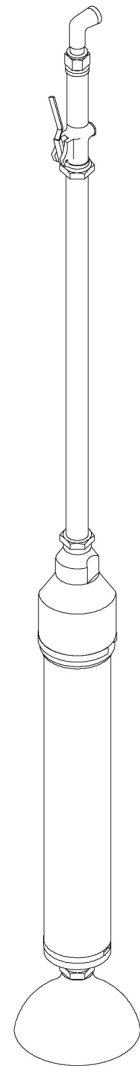


**Chicago
Pneumatic**

Spare parts list

Pneumatic tampers

CP 0004



Contents

| | |
|--|----|
| General information | 5 |
| Spare parts list | 6 |
| Accessories | 8 |
| Butts..... | 8 |
| Optional equipment..... | 8 |
| Hose rolls..... | 8 |
| Pre-mounted universal hoses with claw couplings..... | 9 |
| Water separator..... | 9 |
| Lubricator..... | 10 |
| CP airolene plus tool oil..... | 10 |

General information

This spare parts list applies to the following:

Description

Pneumatic tamper CP 0004

Use only authorized parts. Any damage or malfunction caused by the use of unauthorized parts is not covered by Warranty or Product Liability. Any unauthorized use or copying of the contents or any part thereof is prohibited. This applies in particular to trademarks, model denominations, part numbers, and drawings.

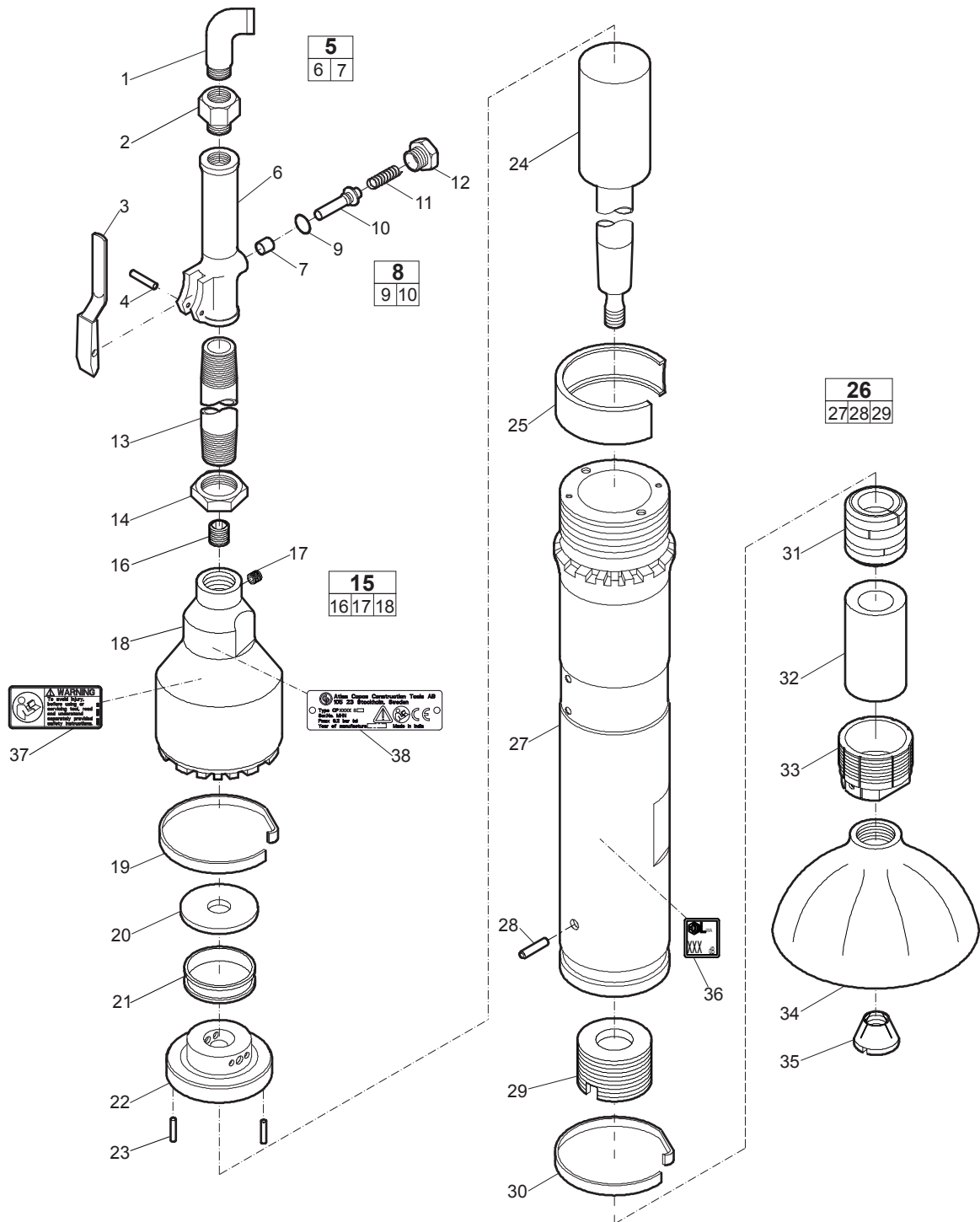
Instructions for use

This spare parts list contains no safety regulations and is merely intended to assist in the ordering of spare parts.

For information about operating, servicing, or repairing, the relevant Safety and operating instructions must be consulted at all costs.

Please observe the safety instructions listed in the relevant Safety and operating instructions!

Spare parts list



| No. | Description | Remark | Quantity | Part number |
|------------------|--|--------------------------------|----------|--------------|
| 1 | Elbow - Street | ½" - 90 | 1 | R072457 |
| 2 | Strainer - Air | | 1 | P001995 |
| 3 | Lever - Valve | | 1 | P001903 |
| 4 | Pin - Lever | | 1 | P001921 |
| 5(6-7) | Body - Throttle valve, complete | | 1 | P007350 |
| 6 | Body - Throttle valve | | 1 | - |
| 7 | Bushing - Throttle valve | | 1 | P001814 |
| 8(9-10) | Valve - Throttle, complete | | 1 | P087671 |
| 9 | O-ring | | 1 | CA088867 |
| 10 | Valve - Throttle | | 1 | - |
| 11 | Spring - Throttle valve | | 1 | P001858 |
| 12 | Cap - Valve | | 1 | P001964 |
| 13 | Pipe - Extension | | 1 | P071147 |
| 14 | Locknut - Pipe | | 2 | F003087 |
| 15(16-18) | Cylinder head, complete | | 1 | P079695 |
| 16 | Plug - Oil regulating | | 1 | P084132 |
| 17 | Plug - Filler | | 1 | C068799 |
| 18 | Cylinder head | | 1 | - |
| 19 | Clip - Cylinder head lock | | 1 | P084464 |
| 20 | Lid - Valve | | 1 | P009667 |
| 21 | Valve | | 1 | P009665 |
| 22 | Block - Valve | | 1 | P009666 |
| 23 | Pin - Block dowel | | 2 | A043627 |
| 24 | Piston | Threaded end | 1 | P089043 |
| 25 | Clip - Exhaust | | 1 | P009674 |
| 26(27-29) | Cylinder bushing, complete | | 1 | P084463 |
| 27 | Cylinder | | 1 | - |
| 28 | Pin - Cylinder bushing | | 1 | S001157 |
| 29 | Bushing - Cylinder | | 1 | P074473 |
| 30 | Clip - Lock nut | | 1 | P084466 |
| 31 | Packing - Piston | | 1 | P089320 |
| 32 | Sleeve - Piston gland | | 1 | P009678 |
| 33 | Nut - Piston gland | | 1 | P084465 |
| 34 | Butt | Aluminum. Ø158.80 mm Ø6¼ in | 1 | P089050 |
| 35 | Lock nut - Butt | | 1 | P089045 |
| 36 | Sound power label | | 1 | - |
| 37 | Safety label | | 1 | 3310 1602 00 |
| 38 | Data plate | | 1 | - |

Accessories

Butts

Metric

| Description | Remark | Diameter (mm) | Part number |
|---------------|-----------|---------------|--------------|
| Butt | Aluminum | 63.50 | P138879 |
| Butt | Cast iron | 146 | 3303 0050 81 |
| Butt, concave | Cast iron | - | 3303 0050 83 |

Imperial

| Description | Remark | Diameter (in) | Part number |
|---------------|-----------|---------------|--------------|
| Butt | Aluminum | 2½ | P138879 |
| Butt | Cast iron | 5¾ | 3303 0050 81 |
| Butt, concave | Cast iron | - | 3303 0050 83 |

Optional equipment

| Description | Remark | Quantity | Part number |
|-------------|--------|----------|-------------|
| Muffler | | 1 | P125807 |

Hose rolls

Metric

| Description | Inner diameter (mm) | Thickness (mm) | Maximum working pressure (bar) | Length of roll (m) | Weight (kg) | Part number |
|-----------------|---------------------|----------------|--------------------------------|--------------------|-------------|--------------|
| Red-X hose roll | 19 | 2.0 | 20 | 60 | 11 | 8900 0050 10 |
| Red-X hose roll | 19 | 2.0 | 20 | 100 | 18 | 8900 0050 11 |
| Red-X hose roll | 19 | 2.0 | 20 | 200 | 36 | 8900 0050 12 |
| Red-X hose roll | 25 | 2.5 | 20 | 60 | 15 | 8900 0050 20 |
| Red-X hose roll | 25 | 2.5 | 20 | 100 | 25 | 8900 0050 21 |
| Red-X hose roll | 25 | 2.5 | 20 | 200 | 50 | 8900 0050 22 |

Imperial

| Description | Inner diameter (in.) | Thickness (in.) | Maximum working pressure (psi) | Length of roll (ft) | Weight (lb) | Part number |
|-----------------|----------------------|-----------------|--------------------------------|---------------------|-------------|--------------|
| Red-X hose roll | ¾ | ⅝ ₆₄ | 290 | 195 | 24.3 | 8900 0050 10 |
| Red-X hose roll | ¾ | ⅝ ₆₄ | 290 | 325 | 39.7 | 8900 0050 11 |
| Red-X hose roll | ¾ | ⅝ ₆₄ | 290 | 650 | 79.4 | 8900 0050 12 |
| Red-X hose roll | 1 | ⅜ ₃₂ | 290 | 195 | 33.1 | 8900 0050 20 |
| Red-X hose roll | 1 | ⅜ ₃₂ | 290 | 325 | 55.1 | 8900 0050 21 |
| Red-X hose roll | 1 | ⅜ ₃₂ | 290 | 650 | 110.2 | 8900 0050 22 |

Pre-mounted universal hoses with claw couplings**Metric**

| Description | Inner diameter (mm) | Thickness (mm) | Maximum working pressure (bar) | Length of roll (m) | Weight (kg) | Part number |
|----------------------|---------------------|----------------|--------------------------------|--------------------|-------------|--------------|
| Red-X universal hose | 19 | 2.0 | 20 | 20 | 4.5 | 8900 0050 09 |
| Red-X universal hose | 25 | 2.5 | 20 | 20 | 6.0 | 8900 0050 23 |

Imperial

| Description | Inner diameter (in.) | Thickness (in.) | Maximum working pressure (psi) | Length of roll (ft) | Weight (lb) | Part number |
|----------------------|----------------------|-----------------|--------------------------------|---------------------|-------------|--------------|
| Red-X universal hose | ¾ | ⅝ ₆₄ | 290 | 50 | 8.8 | 8900 0050 08 |
| Red-X universal hose | 1 | ⅜ ₃₂ | 290 | 50 | 11.0 | 8900 0050 24 |

Water separator**Metric**

| Description | Hose connection (mm) | Air flow (l/s) | Weight (kg) | Part number |
|--------------------------|----------------------|----------------|-------------|--------------|
| Water separator (¾" BSP) | 20 | 61 | 0.8 | 8900 0050 00 |

Imperial

| Description | Hose connection (in.) | Air flow (foot ³ /min) | Weight (lb) | Part number |
|--------------------------|-----------------------|-----------------------------------|-------------|--------------|
| Water separator (¾" NPT) | ¾ | 130 | 1.8 | 8900 0050 01 |

Lubricator

Metric

| Description | Hose connection (mm) | Air flow (l/s) | Oil volume (l) | Weight (kg) | Part number |
|--------------------------|----------------------|----------------|----------------|-------------|--------------|
| Lubricator 1300 (1" BSP) | 25 | 15-140 | 1.3 | 3 | 8900 0050 02 |

Imperial

| Description | Hose connection (in.) | Air flow (foot ³ /min) | Oil volume (US gallon) | Weight (lb) | Part number |
|------------------------|-----------------------|-----------------------------------|------------------------|-------------|--------------|
| Lubricator 43 (1" NPT) | 1 | 32-300 | 0.34 | 6.6 | 8900 0050 07 |

CP airolene plus tool oil

Metric

| Description | Oil volume (l) | Part number |
|-------------------|----------------|--------------|
| 5 l container | 5 | 8099 0202 49 |
| 4 x 5 l container | 20 | 8099 0202 51 |

Imperial

| Description | Oil volume (US gallon) | Part number |
|------------------------------|------------------------|--------------|
| 1.32 US gallon container | 1.32 | 8099 0202 49 |
| 4 x 1.32 US gallon container | 5.28 | 8099 0202 51 |

